



COTEK

DC/AC Inverter/Charger

Company Overview & Product Range

COTEK is committed to providing proactive service, innovative technology and total quality assurance since we were established in 1986. With Corporate Offices in Tao-yuan, Taiwan, COTEK is a technology-oriented company focusing on developing, designing and manufacturing products including:

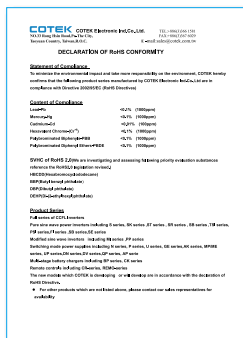
- AC/DC Switching Mode Power Supply – 5 Watts ~ 3,000 Watts
- LED Power Supply – 40, 60, 90Watts
- DC/AC Pure Sine Wave inverters – 200 Watts ~ 3,000 Watts,
- Inverter Charger
- Battery Charger

Why COTEK

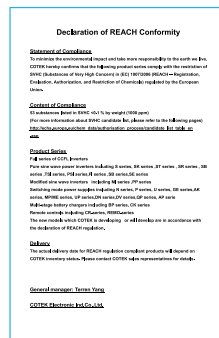
One-stop supplier	Diverse power product lines that allow our business partners to address design challenges across multiple sectors
World-Class R&D Team	Software & Hardware development capability
Safety approvals	Meet the latest safety standards (Medical psu with EN60601-1, 3rd edition)
Flexibility	To provide off-the-shelf and customized design service
Prompt Service	Authorized distributors to ensure localized services
Production capacity	Up to 370K units per month

COTEK takes the responsibility to minimize the environmental impact by applying green production, complying with RoHS and REACH legislation. We are also approved to environmental management standards, BS EN ISO 9001:2000 quality

RoHS Conformity



REACH Conformity



BS EN ISO 9002:1994



CONTACT US

COTEK Corporate Office, TAIWAN

Location: NO 33, Rong Hsin Road, Pa Teh City, Taoyuan County, Taiwan (334)

Tel.: +886 3-3661 581

Fax: +886 3-3676029

Email: sales@cotek.com.tw

COTEK, SHENZHEN CHINA

Location: Long Shen 22, Enterprise Road Longhua Baoan Shenzhen Guangdong P.R China

Tel.: +86 755-28104016

Fax: +86-755-28104020

DC/AC Inverter/Charger

Inverter Product Line

Application	Photo	Series	Features	Pg info	Wattages																																		
					50	100	150	200	250	300	350	400	450	500	600	650	700	750	800	850	900	950	1000	1050	1100	1150	1200	1250	1300	1350	1400	1450	1500	2000	2500	3000			
Automotive - Caravan, RV, Special Car / Marine / Back-up power / Solar / Wind / Telecom & Networking system		SB	Self-diagnosis and operation by microprocessor / Battery charger current 100A Max. @12VDC / 50A Max. @24VDC / Parallel with grid AC	P4																																			
		SD	Parallel design for power expansion / Automatic master mechanism to eliminate single point failure and optimize reliability / Built-in ATS and AC circuit breaker	P6																																			
		SE	Output frequency 50 / 60Hz selectable by DIP switch / Output voltage & power saving mode selectable	P10																																			
		SR	Standard 19" 1U Rackmount/ Built-in AC transfer witch and AC Breaker / Built-in Remote control	P12																																			
		ST	Built-in transfer switch and AC circuit breaker / ROF(remote override function) or ignition lockout function option	P14																																			
		SK	Full wattage line-up (200W~3000KW) / Output frequency 50/60 Hz switch selectable	P24																																			
		S	Capable of driving high reactive and capacitive loads	P38																																			

Charger Product Line

Application	Photo	Series	Features	Pg info	Wattages																																	
					50	100	150	200	250	300	350	400	450	500	600	650	700	750	800	850	900	950	1000	1050	1100	1150	1200	1250	1300	1350	1400	1450	1500	2000	2500	3000		
Solar system		PC	MPPT function / Battery temperature compensation / 3-step charging capability	P46																																		
For mobile applications such as caravan / recreational vehicles / marine and off grid solar system		CX	Full product line of charging capacity / Adjustable charging voltage & time setting capability for each charging stage	P48																																		
		CK	Power consumption < 0.7W under no-load condition / 4-step IUoUoU charging capability / Intelligent output detective protection	P52																																		
		BP	3-step IUoU charging capability / Compact size, light weight	P54																																		

Accessories

Application	Photo	Series	Features	Pg info	Wattages																																	
Collect COTEK inverter data for analysis & record purpose		DA	Data storage and display via Ethernet /Web based online remote data access / Capability to backup the data via USB port	P56																																		
Remote control for COTEK inverter series		CR	Remote control for COTEK SD, SE, SK & ST series	P58																																		



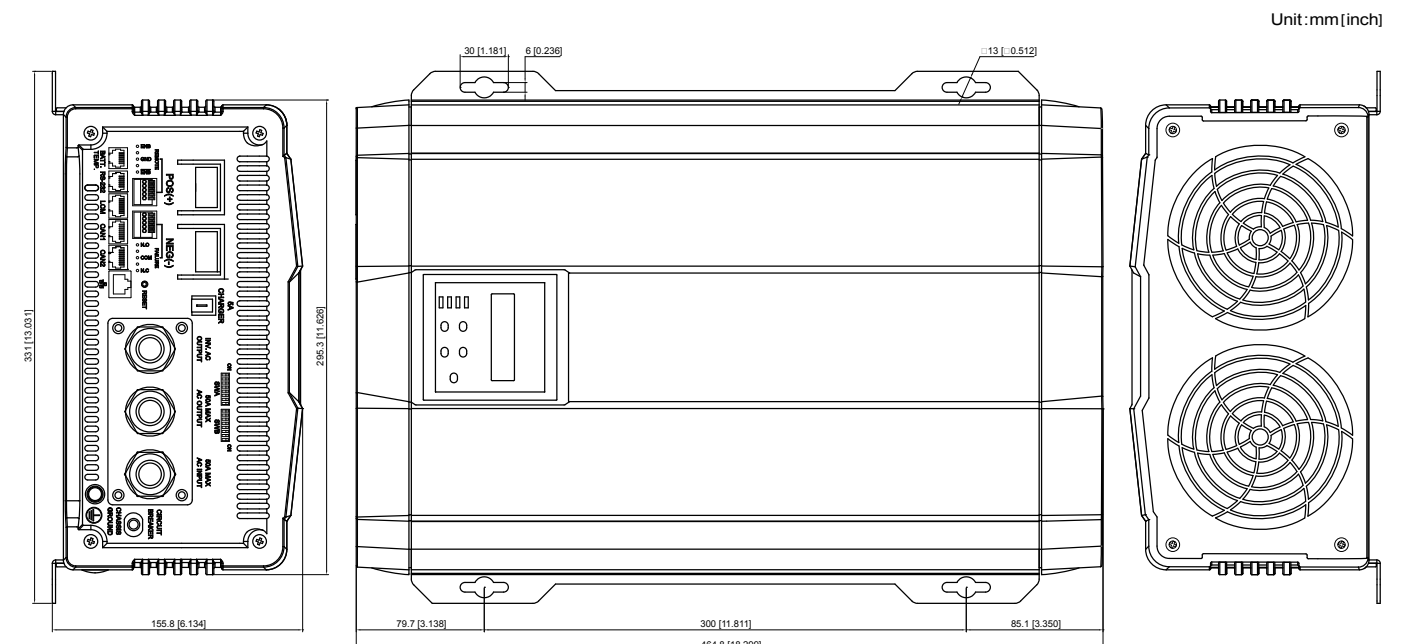
Features :

- A microprocessor controls self-diagnosis and operation
- User-friendly LCM Module
- Can parallel with the utility AC to generate up to 4 KW
- Battery charger current 100A Max. @12VDC / 50A Max. @24VDC Provide 5A Max. second charger
- Provide 5A Max. second charger
- Built-in 25A rated bypass switch
- Power sharing function between charger and load
- Fan failure alarm with buzzer
- DIP switch and remote control management
- RS-232 and CAN BUS communication
- Dry contact for system alarm
- DC Input Protection: Reverse Polarity (Fuse) / Under Voltage / Over Voltage Protection
- AC Input Protection: Short circuit / Under Voltage / Over Voltage Protection
- AC Output Protection: Short Circuit / Overload / Over Temperature Protection

MODEL	SB2000-112	SB2000-124	SB2000-212	SB2000-224	
Output	Continuous Output Power 2000W				
	Surge Power Load 101% ~ 115% (3 Min.) 4000W				
	Frequency 47 ~ 63Hz ±0.01% (User-selectable)				
	Output Voltage 115VAC (100 ~ 120VAC) 5%		230VAC (200 ~ 240VAC) 3%		
	Efficiency (Full Load) > 84% (At DC 12V) > 86% (At DC 24V) > 85% (At DC 12V) > 88% (At DC 24V)				
	Short-Circuit Protection Yes, Ipk				
	Waveform True Sine Wave (THD < 5%)		True Sine Wave (THD < 3%)		
Input	Nominal Voltage	12VDC	24VDC	12VDC	24VDC
	Input Voltage Range	10.5 ~ 16VDC	21 ~ 32VDC	10.5 ~ 16VDC	21 ~ 32VDC
	Input Over-Voltage Protection	15 ~ 16VDC	30 ~ 32VDC	15 ~ 16VDC	30 ~ 32VDC
	Input Under-Voltage Protection	10.5 ~ 11.5VDC	21 ~ 23VDC	10.5 ~ 11.5VDC	21 ~ 23VDC
	No Load Current	6A	3A	6A	3A
	Stand-By Current	1.5A	0.75A	1.5A	0.75A
AC Input / Output Terminal	AC Input	50A Max.			
	AC Output	50A Max.			
	INV. AC Output	25A Max.			
Protection	BAT. Low Alarm	11VDC	22VDC	11VDC	22VDC
	BAT. Low Shutdown	10.5VDC	21VDC	10.5VDC	21VDC
	DC Input Protection	Reverse Polarity (Fuse) / Under Voltage / Over Voltage Protection			
	AC Output Protection	Short Circuit / Overload / Over Temperature Protection			
	AC Input Protection	30Amp Circuit Breaker			
	Temperature Protection	Shutdown (below -20°C above +50 °C)			
	Battery Temperature Protection	By RJ-11 connector to battery temperature sensor			
DC Output	Charging Current Range	20 ~ 100A	10~50A	20 ~ 100A	10~50A
	Second Charger Output	5A , 3-Stage Battery Chargers			
	Max. Output Voltage	14.8VDC	29.6VDC	14.8VDC	29.6VDC
	Battery Temperature Compensation	-25mV per°C	-50mV per°C	-25mV per°C	-50mV per°C
	Bulk Voltage	14.4VDC	28.8VDC	14.4VDC	28.8VDC
	Absorption Voltage	14.25VDC	28.5VDC	14.25VDC	28.5VDC
Float Voltage	13.5VDC	27.0VDC	13.5VDC	27.0VDC	
Note. Charger Voltage @Battery Type Setting "Standard" , Temperature@25°C					

MODEL	SB2000-112	SB2000-124	SB2000-212	SB2000-224
AC Input	Nominal Voltage / Frequency 115VAC / 60Hz		230VAC / 50Hz	
	Input Voltage Range 90 ~ 130VAC		180 ~ 260VAC	
	Input Frequency Range 43 ~ 67Hz			
	Nominal Current 15A (@115VAC)		7.4A (@230VAC)	
	Efficiency (Full Load) > 85%		> 87%	
	Power Factor Correction (PFC) > 0.98 (40%Load)			
Signal & Control	LCD Panel 2-line LCD Panel			
	Remote Control Port RJ-11			
	Dry Contact Terminal By relay			
Bypass Relay	Relay Specification 25Amp / 250VAC			
	Working Temp. -25°C ~ 40°C			
Environment	Full Load Power De-rating 50W /°C , 41°C ~ 60°C			
	Storage Temp. -30°C ~ 70°C			
	Working Humidity 0 ~ 93% RH Non-condensing			
Safety & EMC	Safety Standards ---			
	EMC Standards Certified FCC Class A		Certified EN 55022 Certified EN 55024 Certified EN 61000-3-2 Certified EN 61000-3-3 Certified EN 61000-4-2, 3, 4, 5, 6, 8, 11	
	e-MARK ---		e-13	
	Failure Indication Buzzer alarm			
Other	Fan On / Off Load and temperature control fan			
	Power Sharing Function Inverter mode / Charger mode / Power sharing (Generator mains support function / Power support) / Charger Sharing			
	Ground Relay Ground relay included for connection of neutral of inverter to ground only at inverter mode. Standard disable			
	Dimension (WxHxD) 331x155.8x464.8 mm/ 13.031x6.134x18.299 inch			
	Packing 12.3kg; 1 pcs / 13.3kg / 2.59CUFT			
	Application Home and Office appliances, Portable Power Equipment, Vehicle and Yacht ...etc.			

Mechanical Specification :





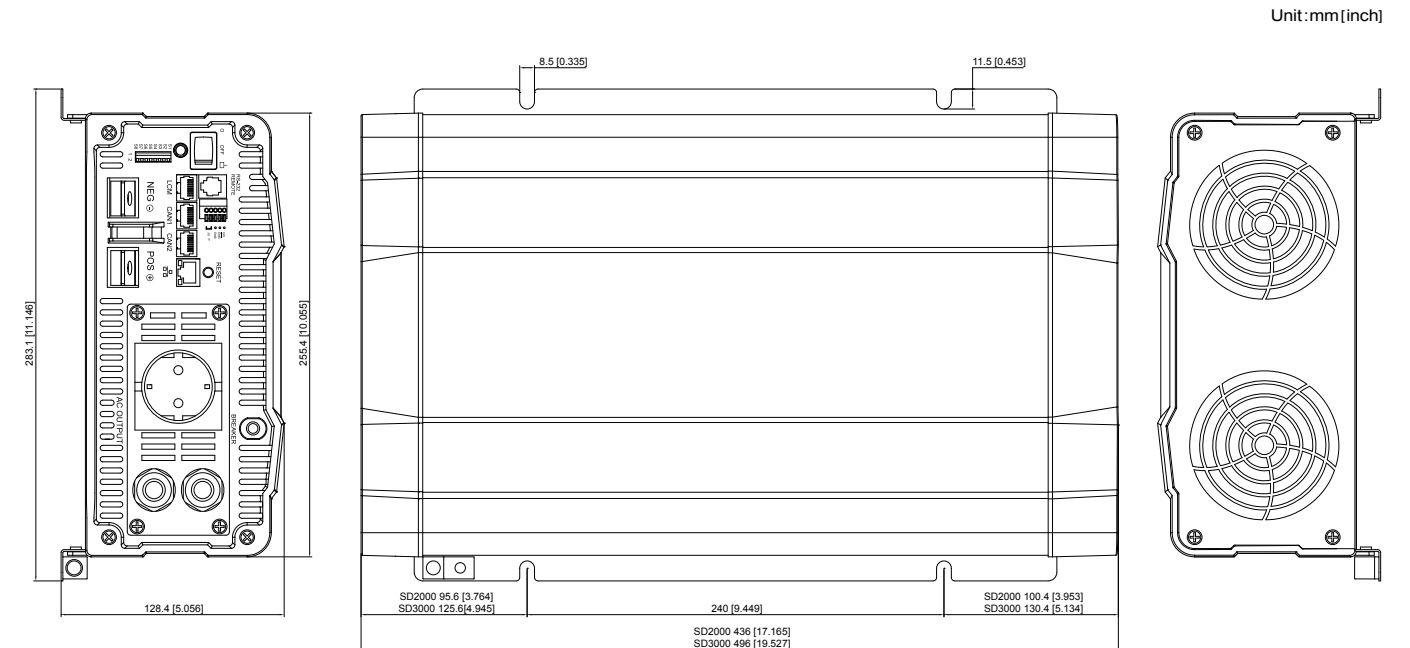
Features :

- Parallel redundancy design for power expansion
- User-friendly LCM Module
- Automatic master mechanism to eliminate single point failure and optimize reliability
- Built-in ATS and AC circuit breaker
- RS-232 and CAN BUS communication
- Input & output fully isolation
- Output voltage / power saving mode selectable
- Input Protection: Reverse Polarity (Fuse) / Under Voltage / Over Voltage Protection
- Output Protection: Short Circuit / Overload / Over Temperature / Over Voltage Protection
- Built-in Ethernet function

MODEL		SD2000-112	SD2000-124	SD2000-148	SD2000-212	SD2000-224	SD2000-248
Output	Rated Power	2000W					
	Surge Power	4000W					
	Waveform	True Sine Wave					
	Efficiency (full load @rated VDC)	86%	88%	89%	86%	88%	90%
	Output Voltage (@rated VDC)	100 / 110 / 115 / 120VAC ±3%			200 / 220 / 230 / 240VAC ±3%		
	Output Frequency	50 / 60Hz ±0.1%					
Input	Total Harmonic Distortion (THD)	< 3% (@rated / VDC, linear load)					
	DC Voltage	12VDC	24VDC	48VDC	12VDC	24VDC	48VDC
	Voltage Range	10.0~16.0VDC	20.0~32.0VDC	40.0~64.0VDC	10.0~16.0VDC	20.0~32.0VDC	40.0~64.0VDC
	Power Consumption @Save Mode	0.9A	0.35A	0.3A	1.3A	0.75A	0.4A
Protection	Power Consumption @No Load Mode	< 2.9A	< 1.4A	< 0.8A	< 3.6A	< 1.9A	< 1.0A
	BAT. Low Alarm	10.5VDC	21.0VDC	42.0VDC	10.5VDC	21.0VDC	42.0VDC
	BAT. Low Shutdown	10.0VDC	20.0VDC	40.0VDC	10.0VDC	20.0VDC	40.0VDC
	BAT.Low Restart	12.5VDC	25.0VDC	50.0VDC	12.5VDC	25.0VDC	50.0VDC
	BAT.High Alarm	15.5VDC	31.0VDC	62.0VDC	15.5VDC	31.0VDC	62.0VDC
	BAT.High Shutdown	16.0VDC	32.0VDC	64.0VDC	16.0VDC	32.0VDC	64.0VDC
	BAT.High Restart	15.0VDC	30.0VDC	60.0VDC	15.0VDC	30.0VDC	60.0VDC
	Input Protection	Reverse Polarity (Fuse) / Under Voltage / Over Voltage Protection					
	Output Protection	Short Circuit / Overload / Over Temperature / Over Voltage Protection					
	DC Input Reverse Polarity	By Fuse					

MODEL		SD2000-112	SD2000-124	SD2000-148	SD2000-212	SD2000-224	SD2000-248
Environment	Working Temp.	-20°C ~ +50°C			-20 °C ~ +40°C		
	Storage Temp.	-30°C ~ +70°C					
	Relative Humidity	Max. 90%, non-condensing					
Safety & EMC	Safety Standards	Meet UL 458			Certified EN 61558-1, EN 61558-2-16		
	EMC Standards	Certified FCC Class B			Certified EN 55014, EN 61000-3-2, EN 61000-3-3, Certified EN 61000-4-2, 3, 4, 5, 6, 11		
Control & Signal	LED Indicator	Input voltage level, output load level and faulty status					
	LCM (Optional)	2 x16 LCM control panel					
Other	Dimension (WxHxD)	283.1x128.4x436 mm / 11.146x5.056x17.156 inch					
	Weight	8kg					
	Cooling	Load & Thermal control fan					
	Communication Port	CAN BUS (RJ45) , RS-232 (RJ11 type connector)					
	Application	Home and Office appliances, Portable Power Equipment, Vehicle, Yacht and Off-Grid Solar power systems...etc.					

Mechanical Specification :





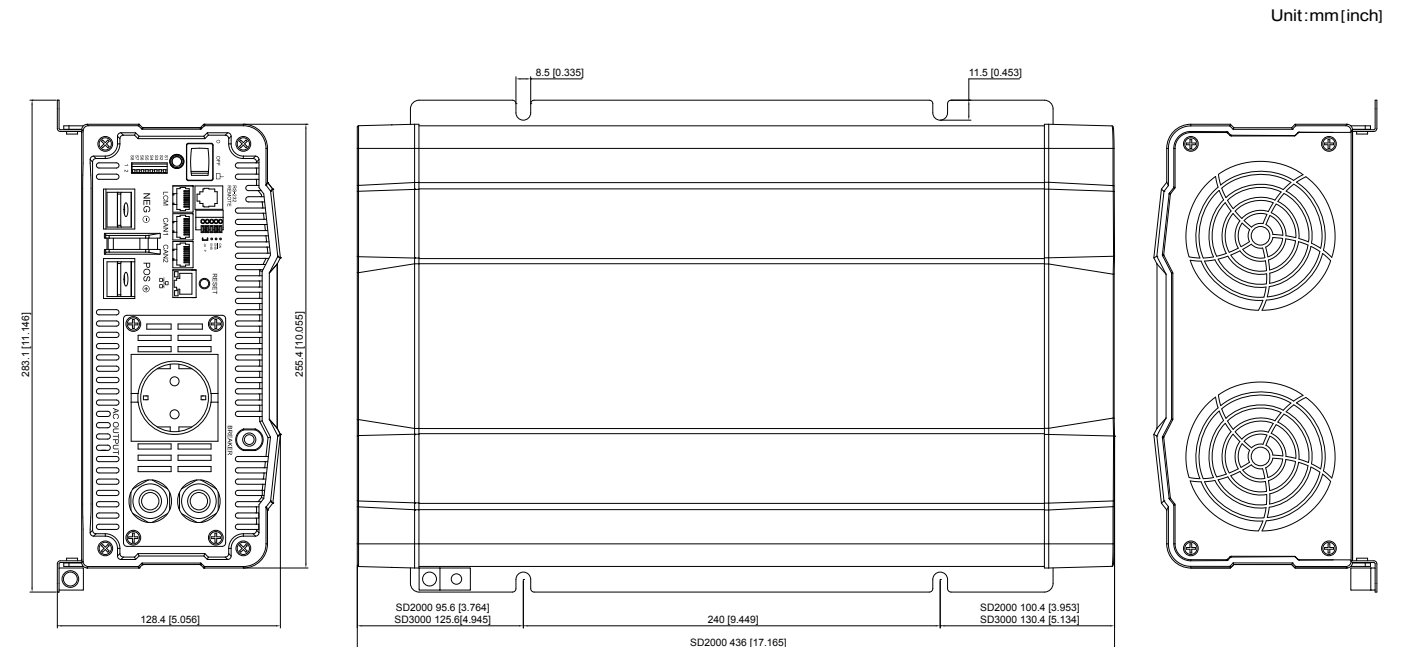
Features :

- Parallel redundancy design for power expansion
- User-friendly LCM Module
- Automatic master mechanism to eliminate single point failure and optimize reliability
- Built-in ATS and AC circuit breaker
- RS-232 and CAN BUS communication
- Input & output fully isolation
- Output voltage / power saving mode selectable
- Input Protection: Reverse Polarity (Fuse) / Under Voltage / Over Voltage Protection
- Output Protection: Short Circuit / Overload / Over Temperature / Over Voltage Protection
- Built-in Ethernet function

MODEL	SD3000-112	SD3000-124	SD3000-148	SD3000-212	SD3000-224	SD3000-248
Environment	Working Temp.	-20°C ~ +50°C				
	Storage Temp.	-30°C ~ +70°C				
	Relative Humidity	Max. 90%, non-condensing				
Safety & EMC	Safety Standards	Meet UL 458			Certified EN 61558-1, EN 61558-2-16	
	EMC Standards	Certified FCC Class B			Certified EN 55014, EN 61000-3-2, EN 61000-3-3, Certified EN 61000-4-2, 3, 4, 5, 6, 11	
Control & Signal	LED Indicator	Input voltage level, output load level and faulty status				
	LCM (Optional)	2 x 16 LCM control panel				
Other	Dimension (WxHxD)	283.1x128.4x49.6 mm / 11.146x5.056x1.9527 inch				
	Weight	10kg				
	Cooling	Load & Thermal control fan				
	Communication Port	CAN BUS (RJ45) , RS-232 (RJ11 type connector)				
Application	Home and Office appliances, Portable Power Equipment, Vehicle, Yacht and Off-Grid Solar power systems...etc.					

MODEL	SD3000-112	SD3000-124	SD3000-148	SD3000-212	SD3000-224	SD3000-248	
Output	Rated Power	3000W					
	Surge Power	4500W					
	Waveform	True Sine Wave					
	Efficiency (full load @rated VDC)	85%	87%	88%	86%	88%	89%
	Output Voltage (@rated VDC)	100 / 110 / 115 / 120VAC ±3%			200 / 220 / 230 / 240VAC ±3%		
	Output Frequency	50 / 60Hz ±0.1%					
	Total Harmonic Distortion (THD)	< 3% (@rated / VDC, linear load)					
Input	DC Voltage	12VDC	24VDC	48VDC	12VDC	24VDC	48VDC
	Voltage Range	10.0~16.0VDC	20.0~32.0VDC	40.0~64.0VDC	10.0~16.0VDC	20.0~32.0VDC	40.0~64.0VDC
	Power Consumption @ Save Mode	0.7A	0.35A	0.2A	0.7A	0.35A	0.2A
	Power Consumption @ No Load Mode	< 2.0A	< 1.0A	< 0.55A	< 2.5A	< 1.35A	< 0.75A
Protection	BAT. Low Alarm	10.5VDC	21.0VDC	42.0VDC	10.5VDC	21.0VDC	42.0VDC
	BAT. Low Shutdown	10.0VDC	20.0VDC	40.0VDC	10.0VDC	20.0VDC	40.0VDC
	BAT.Low Restart	12.5VDC	25.0VDC	50.0VDC	12.5VDC	25.0VDC	50.0VDC
	BAT.High Alarm	15.5VDC	31.0VDC	62.0VDC	15.5VDC	31.0VDC	62.0VDC
	BAT.High Shutdown	16.0VDC	32.0VDC	64.0VDC	16.0VDC	32.0VDC	64.0VDC
	BAT.High Restart	15.0VDC	30.0VDC	60.0VDC	15.0VDC	30.0VDC	60.0VDC
	Input Protection	Reverse Polarity (Fuse) / Under Voltage / Over Voltage Protection					
	Output Protection	Short Circuit / Overload / Over Temperature / Over Voltage Protection					
	DC Input Reverse Polarity	By Fuse					

Mechanical Specification :





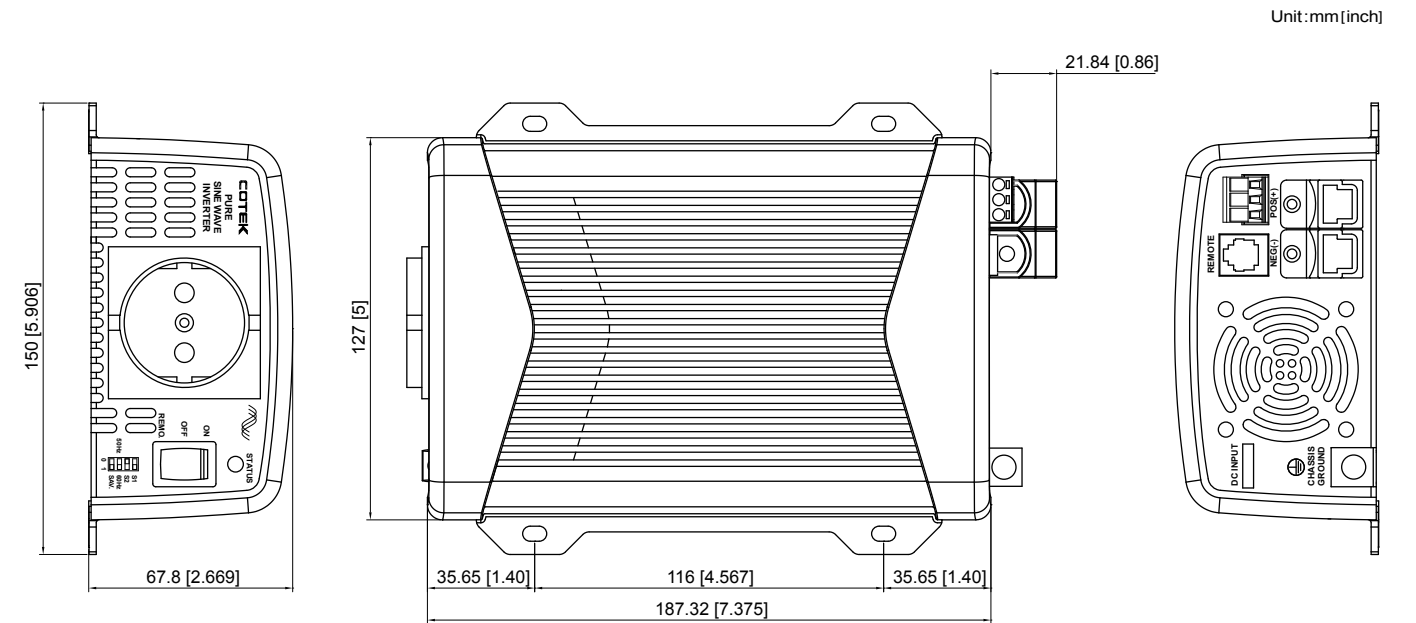
Features :

- True Sine Wave output (THD < 3% @rated VDC, linear load)
- Power ON / OFF remote control
- Input & output fully isolation
- Output frequency 50 / 60Hz selectable by DIP switchr
- Output voltage / power saving mode selectable
- Input Protection: Reverse Polarity (Fuse) / Under Voltage / Over Voltage Protection
- Output Protection: Short Circuit / Overload / Over Temperature Protection
- Power saving mode < 2W
- FCC class B approved

MODEL	SE350-112	SE350-124	SE350-148	SE350-212	SE350-224	SE350-248
Safety & EMC	Safety Standards	—			Certified EN 60950-1	
	EMC Standards	—			Certified EN 55022; EN 61000-3-2; EN 61000-3-3; IEC 61000-4-2,3,4,5,6,8,11; EN 55024; EN 61000-6-3; EN 61204-3; EN 61000-6-1	
Other	Dimension (WxHxD)	150x67.8x187.3 mm / 5.906x2.669x7.375 inch				
	Packing	1.6kg; 6pcs / 10.6kg / 1.45CUFT				
	Cooling	Load and temperature control fan				
	Application	Home and Office appliances, Portable Power Equipment, Vehicle, Yacht and Off-Grid Solar power systems ...etc.				

MODEL	SE350-112	SE350-124	SE350-148	SE350-212	SE350-224	SE350-248	
Output	AC Voltage	100 / 110 / 115 / 120VAC ±5%			200 / 220 / 230 / 240VAC ±5%		
	Rated Power	350W					
	Surge Power	700W					
	Waveform	True Sine Wave (THD < 3% @rated VDC, linear load)					
	Frequency	50 / 60Hz ±0.1%					
Input	DC Voltage	12VDC	24VDC	48VDC	12VDC	24VDC	48VDC
	Voltage Range	10.0 ~ 15.5VDC	20.0 ~ 31.0VDC	40.0 ~ 62.0VDC	10.0 ~ 15.5VDC	20.0 ~ 31.0VDC	40.0 ~ 62.0VDC
	Efficiency (@rated Vdc.full load)	87%	88%	89%	89%	90%	91%
	Power consumption @save mode	90 mA (min.)	60 mA (min.)	40 mA (min.)	90 mA (min.)	60 mA (min.)	40 mA (min.)
	Power consumption @no load mode	< 0.65A	< 0.32A	< 0.16A	< 0.9A	< 0.5A	< 0.25A
Protection	BAT. Low Alarm	10.5VDC	21.0VDC	42.0VDC	10.5VDC	21.0VDC	42.0VDC
	BAT. Low Shutdown	10.0VDC	20.0VDC	40.0VDC	10.0VDC	20.0VDC	40.0VDC
	BAT.Low Restart	12.0VDC	24.0VDC	48.0VDC	12.0VDC	24.0VDC	48.0VDC
	BAT.High Alarm	15.0VDC	30.0VDC	60.0VDC	15.0VDC	30.0VDC	60.0VDC
	BAT.High Shutdown	15.5VDC	31.0VDC	62.0VDC	15.5VDC	31.0VDC	62.0VDC
	BAT.High Restart	14.5VDC	29.0VDC	58.0VDC	14.5VDC	29.0VDC	58.0VDC
	Protection	Overload, short circuit, DC over / under voltage, over Temperature					
	DC Input Reverse Polarity	By fuse					
Environment	Working Temp.	-20°C ~ +40°C					
	Storage Temp.	-30°C ~ +70°C					
	Working Humidity	Max. 90% RH non-condensing					

Mechanical Specification :





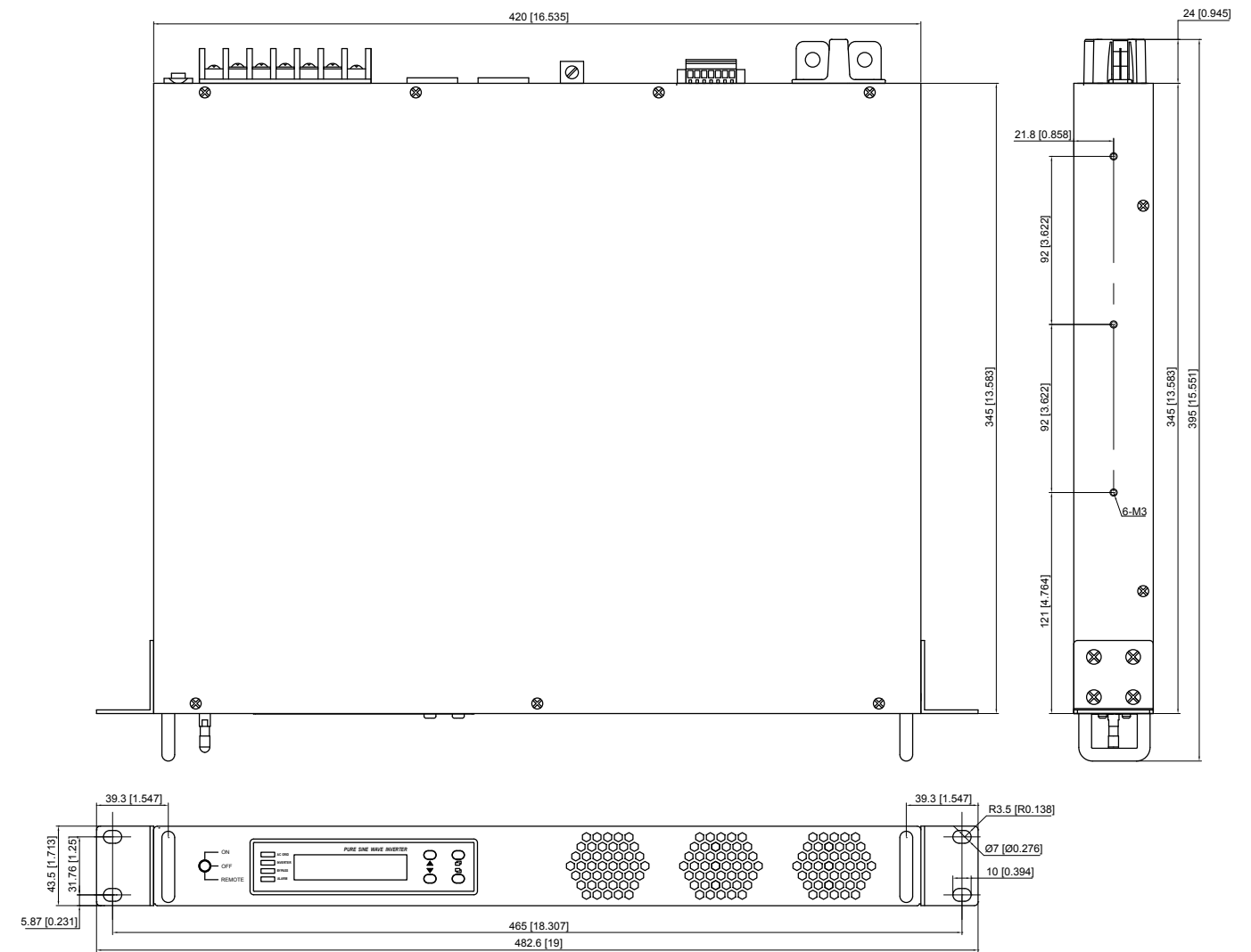
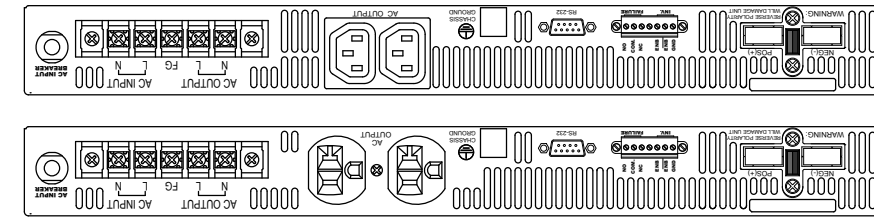
Features :

- True Sine Wave output (THD < 2%)
- Standard 19" 1U Rackmount
- User-Friendly LCM Module
- Dry contact for system alarm
- RS- 232 communication port
- Selectable On-line / Off-line modes
- Built in AC transfer switch and AC breaker
- Hard-wire and dual AC outlet output connection
- Fan failure alarm with buzzer
- Input Protection: Reverse Polarity (Fuse) / Under Voltage / Over Voltage Protection
- Output Protection: Short Circuit / Over Temperature Protection

Mechanical Specification :

Unit:mm[inch]

MODEL	SR1000T-124	SR1000T-148	SR1000T-224	SR1000T-248
Output	Continuous Output Power 1000W			
	Maximum Output Power (3min.) 1100W			
	Surge Power 2000W			
	Frequency 47 ~ 63Hz ±0.05% (User-selectable)			
	Output Voltage 97 ~ 123VAC (User-selectable)		194 ~ 246VAC (User-selectable)	
	Efficiency (Full Load) 87%		88% 90% 91%	
Input	Waveform True Sine Wave (THD < 2%)			
	Voltage 24VDC		48VDC	
	Voltage Range 18 ~ 34VDC		36 ~ 68VDC	
			36 ~ 60VDC (only UL)	
	No Load Current 1.4A		0.75A 1.3A 0.7A	
Signal & Control	LCD Panel 2x16 LCM control panel			
	LED Indicator Input voltage level, output load level and faulty status			
	Dry Contact Terminal By relay			
	Remote Control Port RJ-11			
Protection	Input Protection Over / Under Voltage, Reverse Polarity (Fuse)			
	AC Output Protection Short-Circuit, Overload, Over Temperature Protection			
	AC Input Protection 12Amp Circuit Breaker		6Amp Circuit Breaker	
Bypass Relay	Relay Specification 15Amp / 120VAC, 10Amp / 250VAC			
	Bypass Relay Selectable On Line / Off Line (Haphazard, Normal, Exacting) selectable			
	Switching Time From AC bypass mode (off-line mode) : ≤ 20ms From DC to AC inverter mode (on-line mode) : ≤ 8ms (Exacting Mode)			
Environment	Working Temp. (Full Load) 0°C ~ 50°C			
	Storage -30°C ~ 70°C			
Safety & EMC	Safety Standards Certified UL 60950-1		Certified EN 60950-1	
	EMC Standards FCC Class B		Certified EN 55022; EN 61000-3-2, -3-3; EN 55024; IEC 61000-4-2, 3, 4, 5, 6, 8, 11	
Other	Failure Indication Buzzer alarm and dry contact			
	Cooling Thermal & Load control Fan			
	Dimension (WxHxD) 482.6x43.5x345 mm / 19x1.713x13.583 inch			
	Packing 7.5kg; 2pcs/ 16kg/ 1.74CUFT			
Application Focus on Telecommunication (Base-station) , Networking (Center) & Battery Backup Systems.				





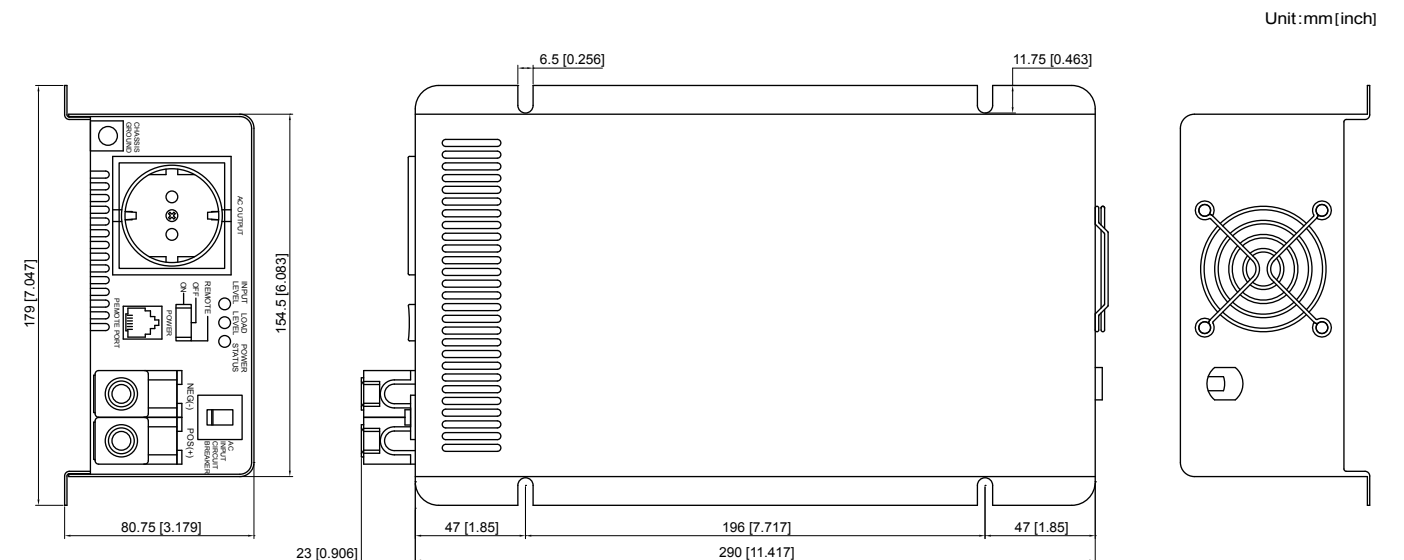
Features :

- True Sine Wave output (THD < 3%)
- Power ON / OFF remote control
- Input & output fully isolation
- Built-in transfer switch & synchronized operation with utility AC source
- Input Protection: Reverse Polarity (Fuse) / Under Voltage / Over Voltage Protection
- Output Protection: Short Circuit / Overload / Over Temperature Protection
- e-13 / CE / FCC approved

MODEL	ST600-112	ST600-124	ST600-148	ST600-212	ST600-224	ST600-248	
Output	AC Voltage	100 / 110 / 120VAC			220 / 230 / 240VAC		
	Rated Power	600W					
	Surge Power	800W					
	Waveform	True Sine Wave (THD < 3%)					
	Frequency	50 / 60Hz					
	AC Regulation	± 5%			± 3%		
	Power Factor Allowed	COS θ -90° ~ COS θ +90°					
	Standard Receptacles	Hardwire					
	LED Indicator	Input voltage level, output load level and faulty status					
Input	No Load Current Draw	0.87A	0.43A	0.23A	0.83A	0.43A	0.22A
	DC Voltage	12VDC	24VDC	48VDC	12VDC	24VDC	48VDC
	Voltage Range	10.5 ~ 15VDC	21.0 ~ 30VDC	42.0 ~ 60VDC	10.5 ~ 15VDC	21.0 ~ 30VDC	42.0 ~ 60VDC
	Efficiency (Typ.)	87%	90%	92%	90%	93%	94%
	Fuse	35Ax2	15Ax2	10Ax2	35Ax2	15Ax2	10Ax2
	Circuit Breaker	7Amp			3Amp		
	Synchronous AC Transfer	Yes					
	Transfer Switch	12Amp					
	Transfer Time	Inverter to AC utility 4 ~ 8msec, AC utility to Inverter 16~50msec					
Remote Control	CR8 (optional)						
Protection	BAT. Low Alarm	11VDC	22VDC	44VDC	11VDC	22VDC	44VDC
	BAT. Low Shutdown	10.5VDC	21.0VDC	42.0VDC	10.5VDC	21.0VDC	42.0VDC
	Over Load	Shut down output voltage, restart to recover					
	Over Voltage	15.3VDC	30.6VDC	61.2VDC	15.3VDC	30.6VDC	61.2VDC
	Over Temperature	Shut down output voltage, recover automatically after temperature goes down					

MODEL	ST600-112	ST600-124	ST600-148	ST600-212	ST600-224	ST600-248
Protection	Output Short	Shut down output voltage, restart to recover				
	DC Input Reverse Polarity	By fuse				
Environment	Working Temp.	0°C ~ +40°C				
	Working Humidity	20 ~ 90% RH non-condensing				
	Storage Temp. & Humidity	-30°C ~ +70°C , 10 ~ 95% RH				
Safety & EMC	Safety Standards	---			Certified EN 60950-1	
	Isolation Resistance	I/P - O/P: 100M Ohms / 500VDC				
	EMI Conduction & Radiation	Certified FCC class B			Certified EN 55022; EN 61000-3-2, -3-3	
	EMS Immunity	---			Certified EN 55024; EN 61204-3; IEC 61000-4-2, 3, 4, 5, 6, 8, 11	
	e-MARK	---			Certified CISPR25; ISO7637-2	
Other	Dimension (WxHxD)	179x80.75x290 mm/ 7.047x3.179x11.417 inch				
	Packing	3.7kg; 4pcs / 15.8kg / 1.98CUFT				
	Cooling	Load control fan				
	Application	Home and Office appliances, Portable Power Equipment, Vehicle, Yacht and Solar power systems ...etc.				

Mechanical Specification :





Features :

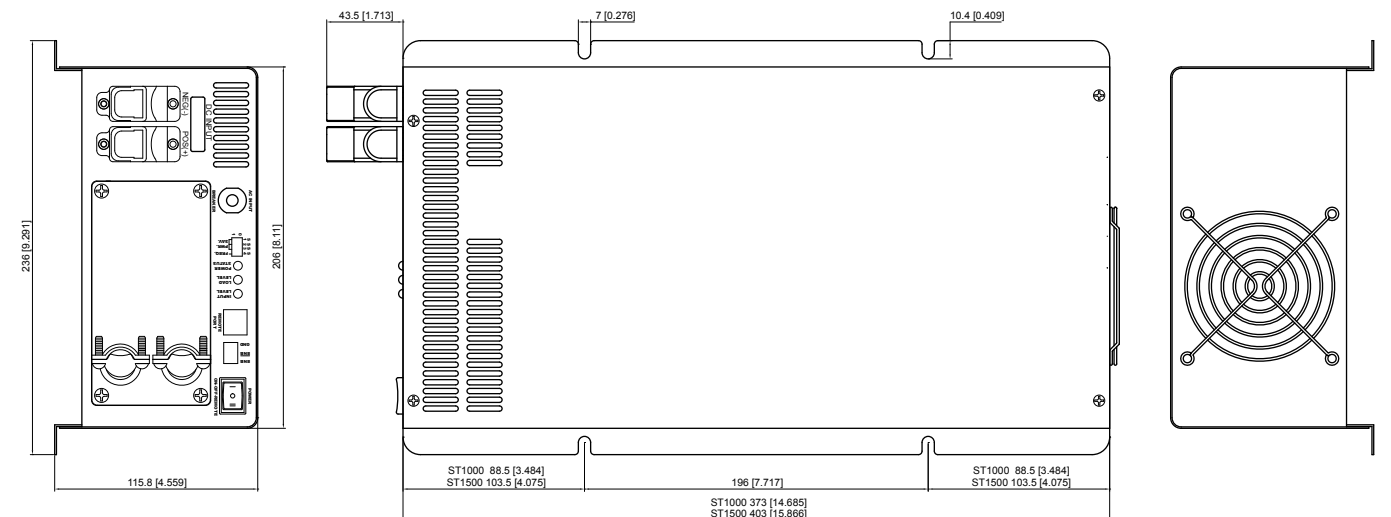
- True Sine Wave output (THD < 3%)
- Power ON / OFF remote control
- Input & output fully isolation
- Output frequency 50 / 60Hz selectable by DIP switch
- Power saving mode to save energy
- Ignition lockout function option
- Built-in transfer switch & synchronized operation with utility AC source
- Input Protection: Reverse Polarity (Fuse) / Under Voltage / Over Voltage Protection
- Output Protection: Short Circuit / Overload / Over Temperature Protection
- e-13 / CE / FCC approved

MODEL	ST1000-112	ST1000-124	ST1000-148	ST1000-212	ST1000-224	ST1000-248	
Output	AC Voltage	100 / 110 / 120VAC			220 / 230 / 240VAC		
	Rated Power	1000W					
	Surge Power	2000W					
	Waveform	True Sine Wave (THD < 3%)					
	Frequency	50 / 60Hz					
	AC Regulation	±5%			±3%		
	Power Factor Allowed	COS θ -90° ~ COS θ +90°					
	Standard Receptacles	Hardwire					
LED Indicator	Input voltage level, output load level and faulty status						
Input	No Load Current Draw	1.43A	0.75A	0.38A	1.25A	0.65A	0.35A
	Stand-by Current Draw	0.25A	0.15A	0.09A	0.25A	0.15A	0.09A
	DC Voltage	12VDC	24VDC	48VDC	12VDC	24VDC	48VDC
	Voltage Range	10.5 ~ 15VDC	21.0 ~ 30VDC	42.0 ~ 60VDC	10.5 ~ 15VDC	21.0 ~ 30VDC	42.0 ~ 60VDC
	Efficiency (Typ.)	88%	90%	92%	90%	93%	94%
	Fuse	40Ax4	20Ax4	20Ax2	40Ax4	20Ax4	20Ax2
	Circuit Breaker	30Amp			6Amp		
	Synchronous AC Transfer	Yes					
	Transfer Switch	30Amp			16Amp		
	Transfer Time	Inverter to utility AC: 8 ~ 10msec; Utility AC to inverter: 16 ~ 50msec					
Remote Control Unit	CR6 / CR8 (optional)						
Protection	BAT. Low Alarm	11VDC	22VDC	44VDC	11VDC	22VDC	44VDC
	BAT. Low Shutdown	10.5VDC	21.0VDC	42.0VDC	10.5VDC	21.0VDC	42.0VDC
	Over Load	Shut down output voltage, restart to recover					

MODEL	ST1000-112	ST1000-124	ST1000-148	ST1000-212	ST1000-224	ST1000-248	
Protection	Over Voltage	15.3VDC	30.6VDC	61.2VDC	15.3VDC	30.6VDC	61.2VDC
	Over Temperature	Shut down output voltage, recover automatically after temperature goes down					
	Output Short	Shut down output voltage, restart to recover					
	DC Input Reverse Polarity	By fuse					
Environment	Working Temp.	0°C ~ +40°C					
	Working Humidity	20 ~ 90% RH non-condensing					
	Storage Temp. & Humidity	-30°C ~ +70°C, 10 ~ 95% RH					
Safety & EMC	Safety Standards	---			Certified EN 60950-1		
	Isolation Resistance	I/P - O/P: 100M Ohms / 500VDC					
	EMI Conduction & Radiation	Certified FCC class B			Certified EN 55022; EN 61000-3-2, -3-3		
	EMS Immunity	---			Certified EN 55024; IEC 61000-4-2, 3, 4, 5, 6, 8, 11		
	e-MARK	---			Certified CISPR25; ISO11452-2; ISO7637-2		
Other	Dimension (WxHxD)	236x115.8x373 mm / 9.291x4.559x14.685 inch					
	Packing	6.5kg; 2pcs / 14kg / 2.64CUFT					
	Cooling	Load control fan					
	Application	Home and Office appliances, Portable Power Equipment, Vehicle, Yacht and Solar power systems ...etc.					

Mechanical Specification :

Unit:mm[inch]





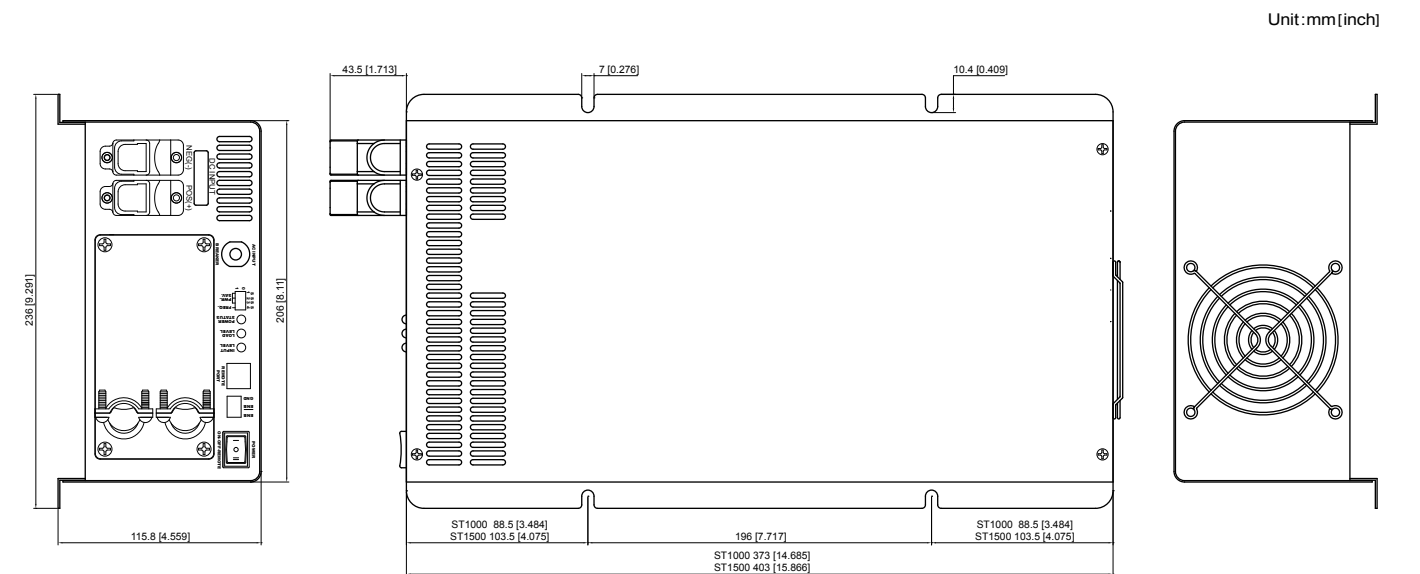
Features :

- True Sine Wave output (THD < 3%)
- Power ON / OFF remote control
- Input & output fully isolation
- Output frequency 50 / 60Hz selectable by DIP switch
- Power saving mode to save energy
- Ignition lockout function option
- Built-in transfer switch & synchronized operation with utility AC source
- Input Protection: Reverse Polarity (Fuse) / Under Voltage / Over Voltage Protection
- Output Protection: Short Circuit / Overload / Over Temperature Protection
- e-13 / CE / FCC approved

MODEL	ST1500-112	ST1500-124	ST1500-148	ST1500-212	ST1500-224	ST1500-248	
Output	AC Voltage	100 / 110 / 120VAC			220 / 230 / 240VAC		
	Rated Power	1500W					
	Surge Power	3000W					
	Waveform	True Sine Wave (THD < 3%)					
	Frequency	50 / 60Hz					
	AC Regulation	±5%			±3%		
	Power Factor Allowed	COS θ -90° ~ COS θ +90°					
	Standard Receptacles	Hardwire					
LED Indicator	Input voltage level, output load level and faulty status						
Input	No Load Current Draw	1.45A	0.75A	0.40A	1.4A	0.70A	0.40A
	Stand-by Current Draw	0.28A	0.15A	0.09A	0.28A	0.15A	0.09A
	DC Voltage	12VDC	24VDC	48VDC	12VDC	24VDC	48VDC
	Voltage Range	10.5 ~ 15VDC	21.0 ~ 30VDC	42.0 ~ 60VDC	10.5 ~ 15VDC	21.0 ~ 30VDC	42.0 ~ 60VDC
	Efficiency (Typ.)	88%	91%	92%	90%	93%	94%
	Fuse	40Ax5	20Ax5	20Ax3	40Ax5	20Ax5	20Ax3
	Circuit Breaker	30Amp			10Amp		
	Synchronous AC Transfer	Yes					
	Transfer Switch	30Amp			10Amp		
	Transfer Time	Inverter to utility AC: 8 ~ 10msec; Utility AC to inverter: 16 ~ 50msec					
	Remote Control Unit	CR6 / CR8 (optional)					

MODEL	ST1500-112	ST1500-124	ST1500-148	ST1500-212	ST1500-224	ST1500-248	
Protection	BAT. Low Alarm	11VDC	22VDC	44VDC	11VDC	22VDC	44VDC
	BAT. Low Shutdown	10.5VDC	21.0VDC	42.0VDC	10.5VDC	21.0VDC	42.0VDC
	Over Load	Shut down output voltage, restart to recover					
	Over Voltage	15.3VDC	30.6VDC	61.2VDC	15.3VDC	30.6VDC	61.2VDC
	Over Temperature	Shut down output voltage, recover automatically after temperature goes down					
	Output Short	Shut down output voltage, restart to recover					
	DC Input Reverse Polarity	By fuse					
Environment	Working Temp.	0°C ~ +40°C					
	Working Humidity	20 ~ 90% RH non-condensing					
	Storage Temp. & Humidity	-30°C ~ +70°C , 10 ~ 95% RH					
Safety & EMC	Safety Standards	---			Certified EN 60950-1		
	Isolation Resistance	I/P - O/P: 100M Ohms / 500VDC					
	EMI Conduction & Radiation	Certified FCC class B			Certified EN 55022; EN 61000-3-2, -3-3		
	EMS Immunity	---			Certified EN 55024; IEC 61000-4-2, 3, 4, 5, 6, 8, 11		
	e-MARK	---			Certified CISPR25; ISO11452-2; ISO7637-2		
Other	Dimension (WxHxD)	236x115.8x403 mm / 9.291x4.559x15.866 inch					
	Packing	7kg; 2pcs / 15kg / 2.64CUFT					
	Cooling	Load control fan					
	Application	Home and Office appliances, Portable Power Equipment, Vehicle, Yacht and Solar power systems ...etc.					

Mechanical Specification :





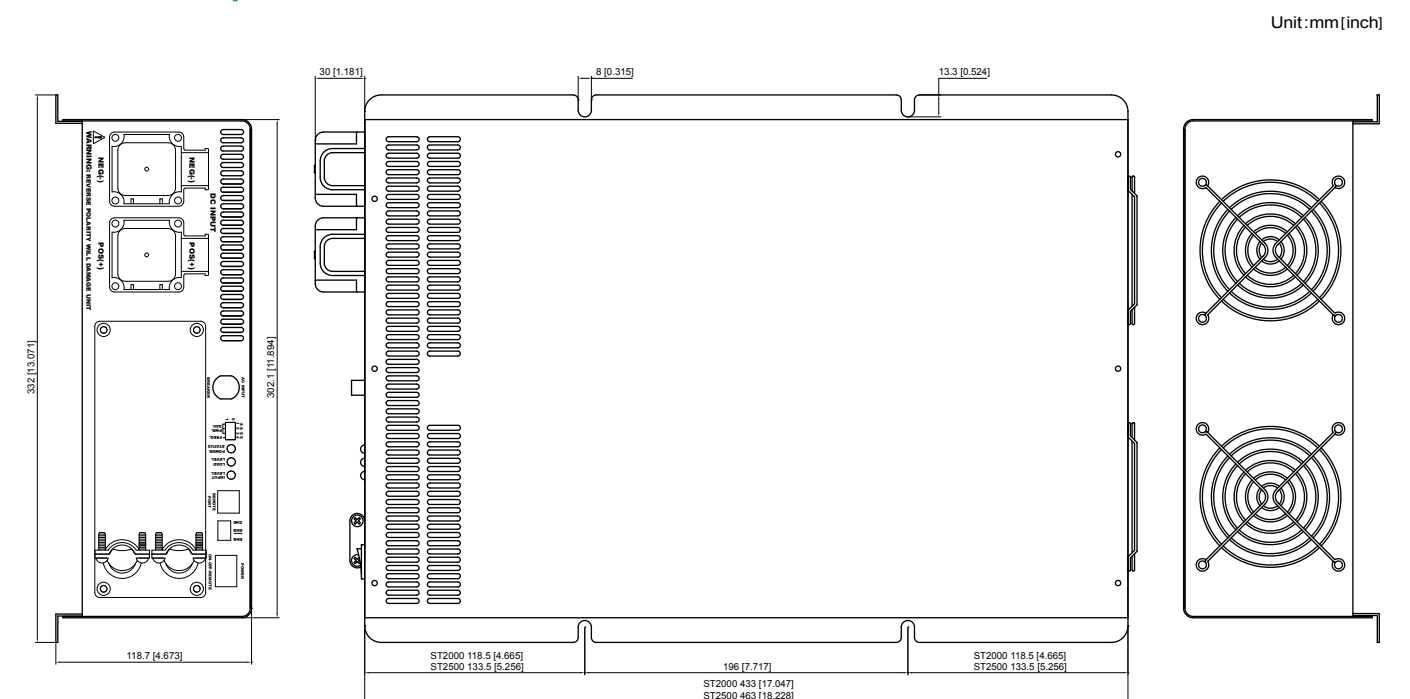
Features :

- True Sine Wave output (THD < 3%)
- Power ON / OFF remote control
- Input & output fully isolation
- Output frequency 50 / 60Hz selectable by DIP switch
- Power saving mode to save energy
- Ignition lockout function option
- Built-in transfer switch & synchronized operation with utility AC source
- Input Protection: Reverse Polarity (Fuse) / Under Voltage / Over Voltage Protection
- Output Protection: Short Circuit / Overload / Over Temperature Protection
- e-13 / CE / FCC approved

MODEL	ST2000-112	ST2000-124	ST2000-148	ST2000-212	ST2000-224	ST2000-248	
Output	AC Voltage	100 / 110 / 120VAC			220 / 230 / 240VAC		
	Rated Power	2000W					
	Surge Power	4000W					
	Waveform	True Sine Wave (THD < 3%)					
	Frequency	50 / 60Hz					
	AC Regulation	± 5%			± 3%		
	Power Factor Allowed	COS θ -90° ~ COS θ +90°					
	Standard Receptacles	Hardwire					
LED Indicator	Input voltage level, output load level and faulty status						
Input	No Load Current Draw	2.60A	1.5A	0.70A	2.3A	1.10A	0.65A
	Stand-by Current Draw	0.60A	0.3A	0.20A	0.60A	0.30A	0.15A
	DC Voltage	12VDC	24VDC	48VDC	12VDC	24VDC	48VDC
	Voltage Range	10.5 ~ 15VDC	21.0 ~ 30VDC	42.0 ~ 60VDC	10.5 ~ 15VDC	21.0 ~ 30VDC	42.0 ~ 60VDC
	Efficiency (Typ.)	88%	91%	92%	90%	93%	94%
	Fuse	40Ax8	20Ax8	20Ax4	40Ax8	20Ax8	20Ax4
	Circuit Breaker	30Amp					
	Synchronous AC Transfer	Yes					
	Transfer Switch	30Amp			25Amp		
	Transfer Time	Inverter to utility AC: 8 ~ 10msec; Utility AC to inverter: 16 ~ 50msec					
Remote Control	CR6 / CR8 (optional)						
Protection	BAT. Low Alarm	11VDC	22VDC	44VDC	11VDC	22VDC	44VDC
	BAT. Low Shutdown	10.5VDC	21.0VDC	42.0VDC	10.5VDC	21.0VDC	42.0VDC
	Over Load	Shut down output voltage, restart to recover					

MODEL	ST2000-112	ST2000-124	ST2000-148	ST2000-212	ST2000-224	ST2000-248	
Protection	Over Voltage	15.3VDC	30.6VDC	61.2VDC	15.3VDC	30.6VDC	61.2VDC
	Over Temperature	Shut down output voltage, recover automatically after temperature goes down					
	Output Short	Shut down output voltage, restart to recover					
	DC Input Reverse Polarity	By fuse					
Environment	Working Temp.	0°C ~ +40°C					
	Working Humidity	20 ~ 90% RH non-condensing					
	Storage Temp. & Humidity	-30°C ~ +70°C , 10 ~ 95% RH					
Safety & EMC	Safety Standards	---			Certified EN 60950-1		
	Isolation Resistance	I/P - O/P: 100M Ohms / 500VDC					
	EMI Conduction & Radiation	Certified FCC class B			Certified EN 55022; EN 61000-3-2, -3-3		
	EMS Immunity	---			Certified EN 55024; IEC 61000-4-2, 3, 4, 5, 6, 8, 11		
	e-MARK	---			Certified CISPR25; ISO11452-2; ISO7637-2		
Other	Dimension (WxHxD)	332x118.7x433 mm / 13.071x4.673x17.047 inch					
	Packing	11.5kg; 1pcs / 12.5kg / 2.45CUFT					
	Cooling	Load control fan					
	Application	Home and Office appliances, Portable Power Equipment, Vehicle, Yacht and Solar power systems ...etc.					

Mechanical Specification :





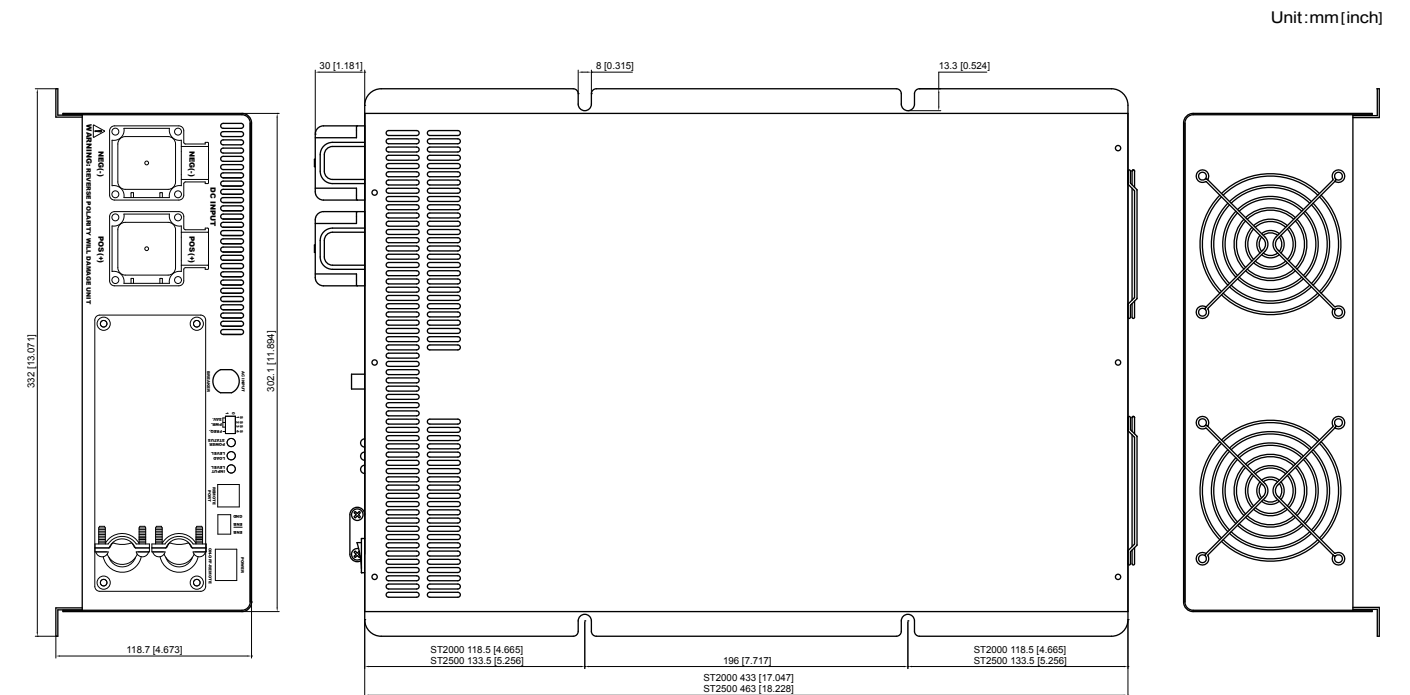
Features :

- True Sine Wave output (THD < 3%)
- Power ON / OFF remote control
- Input & output fully isolation
- Output frequency 50 / 60Hz selectable by DIP switch
- Power saving mode to save energy
- Ignition lockout function option
- Built-in transfer switch & synchronized operation with utility AC source

MODEL	ST2500-112	ST2500-124	ST2500-148	ST2500-212	ST2500-224	ST2500-248	
Output	AC Voltage	100 / 110 / 120VAC			220 / 230 / 240VAC		
	Rated Power	2500W					
	Surge Power	5000W					
	Waveform	True Sine Wave (THD < 3%)					
	Frequency	50 / 60Hz					
	AC Regulation	±5%			±3%		
	Power Factor Allowed	COS θ -90° ~ COS θ +90°					
	Standard Receptacles	Hardwire					
	LED Indicator	Input voltage level, output load level and faulty status					
	Input	No Load Current Draw	2.62A	1.53A	0.72A	2.32A	1.15A
Stand-by Current Draw		0.60A	0.3A	0.20A	0.60A	0.30A	0.15A
DC Voltage		12VDC	24VDC	48VDC	12VDC	24VDC	48VDC
Voltage Range		10.5 ~ 15VDC	21.0 ~ 30VDC	42.0 ~ 60VDC	10.5 ~ 15VDC	21.0 ~ 30VDC	42.0 ~ 60VDC
Efficiency (Typ.)		88%	91%	92%	90%	93%	94%
Fuse		40Ax10	20Ax10	20Ax6	40Ax10	20Ax10	20Ax6
Circuit Breaker		30Amp					
Synchronous AC Transfer		Yes					
Transfer Switch		30Amp			25Amp		
Transfer Time		Inverter to utility AC: 8 ~ 10msec; Utility AC to inverter: 16 ~ 50msec					
Remote Control	CR6 / CR8 (optional)						
Protection	BAT. Low Alarm	11VDC	22VDC	44VDC	11VDC	22VDC	44VDC
	BAT. Low Shutdown	10.5VDC	21.0VDC	42.0VDC	10.5VDC	21.0VDC	42.0VDC
	Over Load	Shut down output voltage, restart to recover					
	Over Voltage	15.3VDC	30.6VDC	61.2VDC	15.3VDC	30.6VDC	61.2VDC
	Over Temperature	Shut down output voltage, recover automatically after temperature goes down					

MODEL	ST2500-112	ST2500-124	ST2500-148	ST2500-212	ST2500-224	ST2500-248
Protection	Output Short	Shut down output voltage, restart to recover				
	DC Input Reverse Polarity	By fuse				
Environment	Working Temp.	0°C ~ +40°C				
	Working Humidity	20 ~ 90% RH non-condensing				
	Storage Temp. & Humidity	-30°C ~ +70°C , 10 ~ 95% RH				
Safety & EMC	Safety Standards	---			Certified EN 60950-1	
	Isolation Resistance	I/P - O/P: 100M Ohms / 500VDC				
	EMI Conduction & Radiation	Certified FCC class B			Certified EN 55022; EN 61000-3-2, -3-3	
	EMS Immunity	---			Certified EN 55024; IEC 61000-4-2, 3, 4, 5, 6, 8, 11	
	e-MARK	---			Certified CISPR25; ISO11452-2; ISO7637-2	
Other	Dimension (WxHxD)	332x118.7x463 mm / 13.070x4.673x18.228 inch				
	Packing	12.6kg; 1pcs / 13.6kg / 2.45CUFT				
	Cooling	Load control fan				
	Application	Home and Office appliances, Portable Power Equipment, Vehicle, Yacht and Solar power systems ...etc.				

Mechanical Specification :





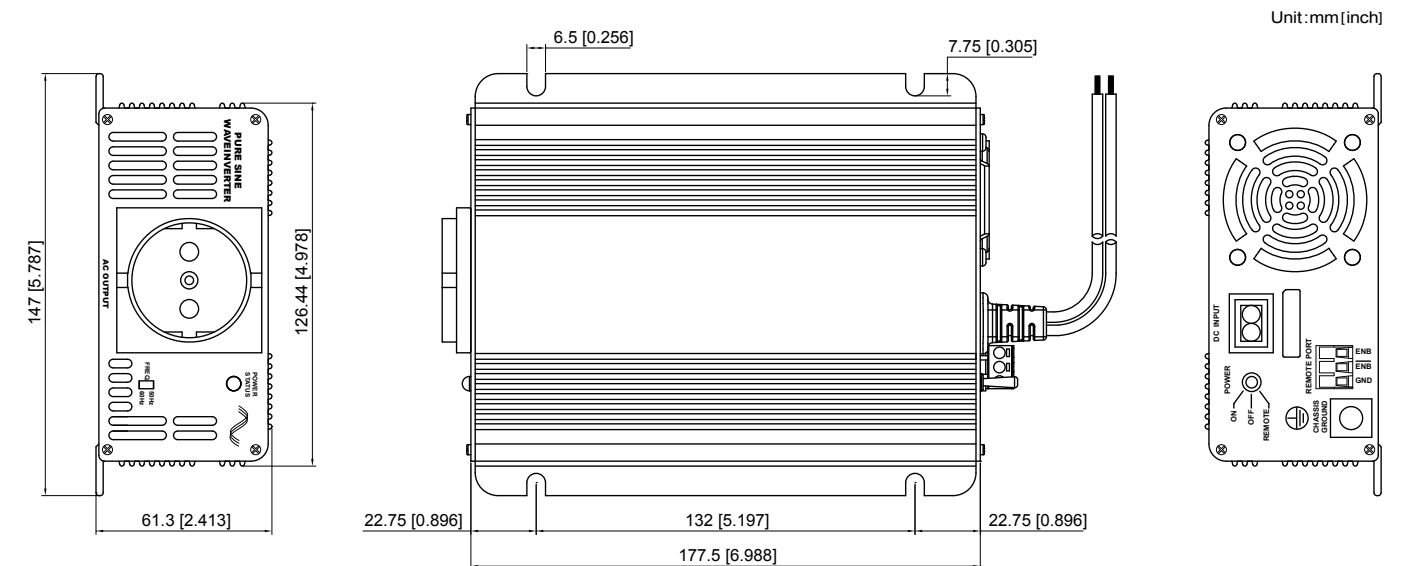
Features :

- DC input socket availability is suitable for different user scenarios
- True Sine Wave output (THD < 3%)
- Power ON / OFF remote control
- Input & output fully isolation
- Output frequency 50 / 60Hz selectable by DIP switch
- Input Protection: Reverse Polarity (Fuse) / Under Voltage / Over Voltage Protection
- Output Protection: Short Circuit / Overload / Over Temperature Protection
- e-13 / CE / FCC approved

MODEL	SK200-112	SK200-124	SK200-148	SK200-212	SK200-224	SK200-248	
Output	AC Voltage	100 / 110 / 120VAC			220 / 230 / 240VAC		
	Rated Power	200W					
	Surge Power	400W					
	Waveform	True Sine Wave (THD < 3%)					
	Frequency	50 / 60Hz selectable by DIP switch					
	AC Regulation	± 5%			± 3%		
	Power Factor Allowed	COS θ -90° ~ COS θ +90°					
	Standard Receptacles	NEMA5-15R / GFCI			Schuko / UK / Australia / Universal		
LED Indicator	Input voltage level, output load level and faulty status						
Input	No Load Current Draw	0.83A	0.32A	0.19A	---	---	---
	DC Voltage	12VDC	24VDC	48VDC	12VDC	24VDC	48VDC
	Voltage Range	10.5 ~ 15.0VDC	21.0 ~ 30.0VDC	42.0 ~ 60VDC	10.5 ~ 15.0VDC	21.0 ~ 30.0VDC	42.0 ~ 60VDC
	Efficiency (Typ.)	89%	91%	92%	91%	93%	94%
	Fuse	30Ax1	20Ax1	10Ax1	30Ax1	20Ax1	10Ax1
	Remote Control	By external switch					
Protection	BAT. Low Alarm	11VDC	22VDC	44VDC	11VDC	22VDC	44VDC
	BAT. Low Shutdown	10.5VDC	21.0VDC	42.0VDC	10.5VDC	21.0VDC	42.0VDC
	Over Load	Shut down output voltage, restart to recover					
	Over Voltage	15.3VDC	30.6VDC	61.2VDC	15.3VDC	30.6VDC	61.2VDC
	Over Temperature	Shut down output voltage, recover automatically after temperature goes down					
	Output Short	Shut down output voltage, restart to recover					
DC Input Reverse Polarity	By fuse						

MODEL	SK200-112	SK200-124	SK200-148	SK200-212	SK200-224	SK200-248
Environment	Working Temp.	0°C ~ +40°C				
	Working Humidity	20 ~ 90% RH non-condensing				
	Storage Temp. & Humidity	-30°C ~ +70°C , 10 ~ 95% RH				
Safety & EMC	Safety Standards	---			Certified EN 60950-1	
	Isolation Resistance	I/P - O/P: 100M Ohms / 500VDC				
	EMI Conduction & Radiation	Certified FCC class B			Certified EN 55022; EN 61000-3-2, -3-3	
	EMS Immunity	---			Certified EN 55024; IEC 61000-4-2, 3, 4, 5, 6, 8, 11	
	e-MARK	---			Certified CISPR25; ISO11452-2; ISO7637-2	
Other	Dimension (WxHxD)	147x61.3x177.5 mm / 5.787x2.413x6.988 inch				
	Packing	1.7kg; 6pcs / 11.2kg / 1.45CUFT				
	Cooling	Load control fan				
	Application	Home and Office appliances, Portable Power Equipment, Vehicle, Yacht and off - Grid Solar power systems ...etc.				

Mechanical Specification :





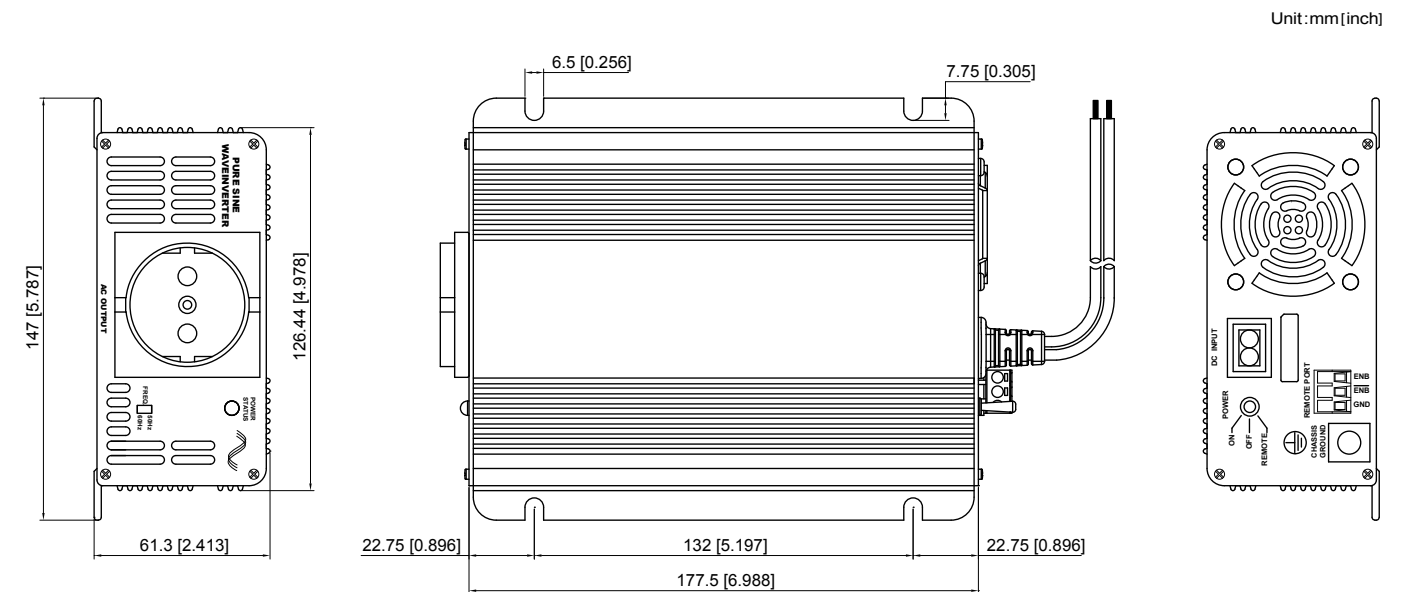
Features :

- DC input socket availability is suitable for different user scenarios
- True Sine Wave output (THD < 3%)
- Power ON / OFF remote control
- Input & output fully isolation
- Output frequency 50 / 60Hz selectable by DIP switch
- Power saving mode to save energy
- Input Protection: Reverse Polarity (Fuse) / Under Voltage / Over Voltage Protection
- Output Protection: Short Circuit / Overload / Over Temperature Protection
- UL / e-13 / CE / FCC approved

MODEL	SK350-112	SK350-124	SK350-148	SK350-212	SK350-224	SK350-248	
Output	AC Voltage	100 / 110 / 120VAC			220 / 230 / 240VAC		
	Rated Power	350W					
	Surge Power	700W					
	Waveform	True Sine Wave (THD < 3%)					
	Frequency	50 / 60Hz selectable by DIP switch					
	AC Regulation	± 5%			± 3%		
	Power Factor Allowed	COS θ -90° ~ COS θ +90°					
	Standard Receptacles	NEMA5-15R / GFCI			Schuko / UK / Australia / Universal		
Input	LED Indicator	Input voltage level, output load level and faulty status					
	No Load Current Draw	0.68A	0.66A	0.22A	0.80A	0.22A	---
	Stand-by Current Draw	0.25A	0.15A	0.08A	0.25A	0.15A	0.08A
	DC Voltage	12VDC	24VDC	48VDC	12VDC	24VDC	48VDC
	Voltage Range	10.5 ~ 15.0VDC	21.0 ~ 30.0VDC	42.0 ~ 60VDC	10.5 ~ 15.0VDC	21.0 ~ 30.0VDC	42.0 ~ 60VDC
	Efficiency (Typ.)	89%	91%	92%	91%	93%	94%
	Fuse	20Ax2	30Ax1	15Ax1	20Ax2	30Ax1	15Ax1
	Remote Control	By external switch					
Protection	BAT. Low Alarm	11VDC	22VDC	44VDC	11VDC	22VDC	44VDC
	BAT. Low Shutdown	10.5VDC	21.0VDC	42.0VDC	10.5VDC	21.0VDC	42.0VDC
	Over Load	Shut down output voltage, restart to recover					
	Over Voltage	15.3VDC	30.6VDC	61.2VDC	15.3VDC	30.6VDC	61.2VDC
	Over Temperature	Shut down output voltage, recover automatically after temperature goes down					

MODEL	SK350-112	SK350-124	SK350-148	SK350-212	SK350-224	SK350-248
Protection	Output Short	Shut down output voltage, restart to recover				
	DC Input Reverse Polarity	By fuse				
Environment	Working Temp.	0°C ~ +40°C				
	Working Humidity	20 ~ 90% RH non-condensing				
	Storage Temp. & Humidity	-30°C ~ +70°C , 10 ~ 95% RH				
Safety & EMC	Safety Standards	Certified UL 458			Certified EN 60950-1	
	Isolation Resistance	I/P - O/P: 100M Ohms / 500VDC				
	EMI Conduction & Radiation	Certified FCC class A			Certified EN 55022; EN 61000-3-2, -3-3	
	EMS Immunity	---			Certified EN 55024; IEC 61000-4-2, 3, 4, 5, 6, 8, 11	
	e-MARK	---			Certified CISPR25; ISO7637-2	
Other	Dimension (WxHxD)	147x61.3x177.5 mm / 5.787x2.413x6.988 inch				
	Packing	1.8kg; 6pcs / 11.8kg / 1.45CUFT				
	Cooling	Load control fan				
	Application	Home and Office appliances, Portable Power Equipment, Vehicle, Yacht and Off-Grid Solar power systems ...etc.				

Mechanical Specification :





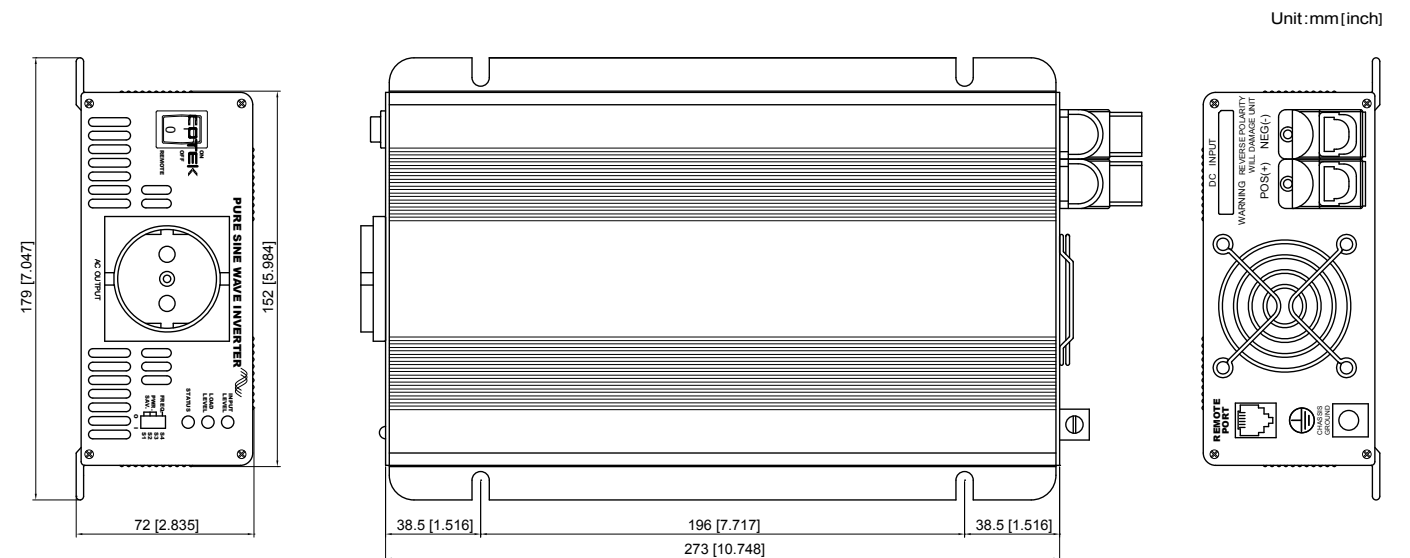
Features :

- DC input socket availability is suitable for different user scenarios
- True Sine Wave output (THD < 3%)
- Power ON / OFF remote control
- Input & output fully isolation
- Output frequency 50 / 60Hz selectable by DIP switch
- Power saving mode to save energy
- Input Protection: Reverse Polarity (Fuse) / Under Voltage / Over Voltage Protection
- Output Protection: Short Circuit / Overload / Over Temperature Protection
- UL / e-13 / CE / FCC approved

MODEL	SK700-112	SK700-124	SK700-148	SK700-212	SK700-224	SK700-248	
Output	AC Voltage	100 / 110 / 120VAC			220 / 230 / 240VAC		
	Rated Power	700W					
	Surge Power	1400W					
	Waveform	True Sine Wave (THD < 3%)					
	Frequency	50 / 60 Hz selectable by DIP switch					
	AC Regulation	± 5%			± 3%		
	Power Factor Allowed	COS θ -90° ~ COS θ +90°					
	Standard Receptacles	NEMA5-15R / GFCI			Schuko / UK / Australia / Universal		
LED Indicator	Input voltage level, output load level and faulty status						
Input	No Load Current Draw	1.25A	0.64A	0.31A	1.2A	0.60A	0.28A
	Stand-by Current Draw	0.25A	0.15A	0.08A	0.25A	0.15A	0.08A
	DC Voltage	12VDC	24VDC	48VDC	12VDC	24VDC	48VDC
	Voltage Range	10.5 ~ 15.0VDC	21.0 ~ 30.0VDC	42.0 ~ 60VDC	10.5 ~ 15.0VDC	21.0 ~ 30.0VDC	42.0 ~ 60VDC
	Efficiency (Typ.)	89%	91%	92%	91%	93%	94%
	Fuse	30Ax3	15Ax3	15Ax2	30Ax3	15Ax3	15Ax2
	Remote Control	CR6 / CR8 (optional)					
Protection	BAT. Low Alarm	11VDC	22VDC	44VDC	11VDC	22VDC	44VDC
	BAT. Low Shutdown	10.5VDC	21.0VDC	42.0VDC	10.5VDC	21.0VDC	42.0VDC
	Over Load	Shut down output voltage, restart to recover					
	Over Voltage	15.3VDC	30.6VDC	61.2VDC	15.3VDC	30.6VDC	61.2VDC
	Over Temperature	Shut down output voltage, recovers automatically after temperature goes down					

MODEL	SK700-112	SK700-124	SK700-148	SK700-212	SK700-224	SK700-248
Protection	Output Short	Shut down output voltage, restart to recover				
	DC Input Reverse Polarity	By fuse				
Environment	Working Temp.	0°C ~ +40°C				
	Working Humidity	20 ~ 90% RH non-condensing				
	Storage Temp. & Humidity	-30 °C ~ +70°C , 10 ~ 95% RH				
Safety & EMC	Safety Standards	Certified UL 458			Certified EN 60950-1	
	Isolation Resistance	I/P - O/P: 100M Ohms / 500VDC				
	EMI Conduction & Radiation	Certified FCC class A			Certified EN 55022; EN 61000-3-2, -3-3	
	EMS Immunity	---			Certified EN 55024; IEC 61000-4-2, 3, 4, 5, 6, 8, 11	
	e-MARK	---			Certified CISPR25; ISO7637-2	
Other	Dimension (WxHxD)	179x72x273 mm / 7.047x2.835x10.748 inch				
	Packing	3.4kg; 6pcs / 21.4kg / 2.46CUFT				
	Cooling	Load control fan				
	Application	Home and Office appliances, Portable Power Equipment, Vehicle, Yacht and Off-Grid Solar power systems ...etc.				

Mechanical Specification :





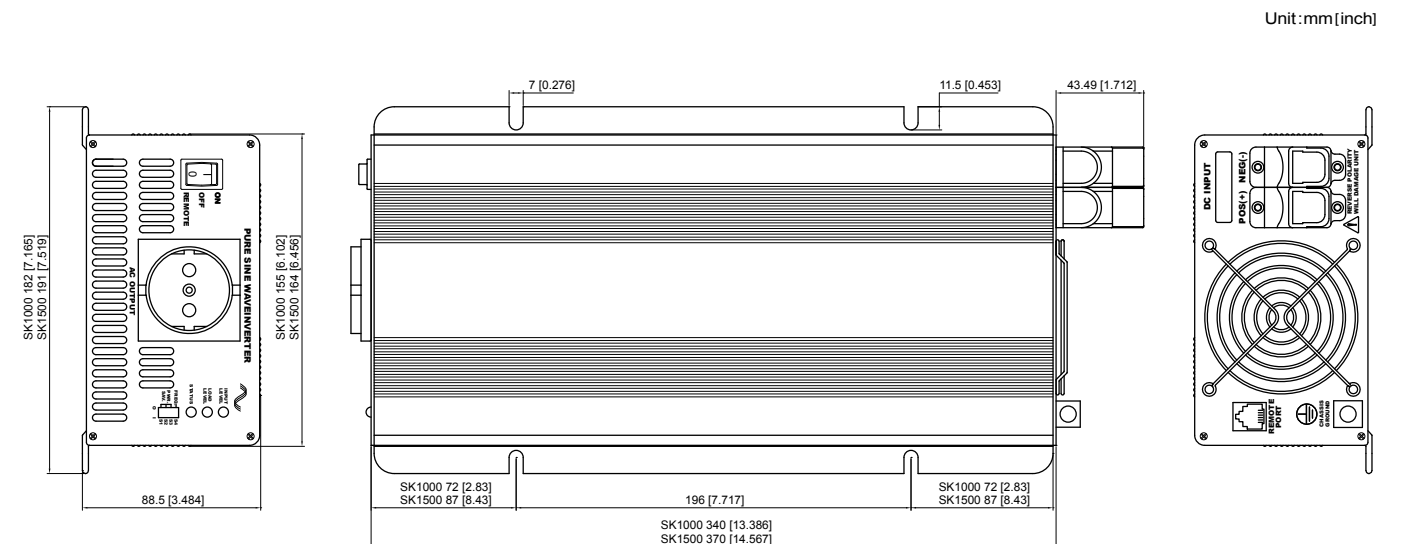
Features :

- DC input socket availability is suitable for different user scenarios
- True Sine Wave output (THD < 3%)
- Power ON / OFF remote control
- Input & output fully isolation
- Output frequency 50 / 60Hz selectable by DIP switch
- Power saving mode to save energy
- Input Protection: Reverse Polarity (Fuse) / Under Voltage / Over Voltage Protection
- Output Protection: Short Circuit / Overload / Over Temperature Protection
- UL / e-13 / CE / FCC approved

MODEL	SK1000-112	SK1000-124	SK1000-148	SK1000-212	SK1000-224	SK1000-248	
Output	AC Voltage	100 / 110 / 120VAC			220 / 230 / 240VAC		
	Rated Power	1000W					
	Surge Power	2000W					
	Waveform	True Sine Wave (THD < 3%)					
	Frequency	50 / 60Hz selectable by DIP switch					
	AC Regulation	± 5%			± 3%		
	Power Factor Allowed	COS θ -90° ~ COS θ +90°					
	Standard Receptacles	NEMA5-15R / GFCI			Schuko / UK / Australia / Universal		
Input	LED Indicator	Input voltage level, output load level and faulty status					
	No Load Current Draw	1.43A	0.75A	0.38A	1.2A	0.60A	0.28A
	Stand-by Current Draw	0.25A	0.15A	0.09A	0.25A	0.15A	0.08A
	DC Voltage	12VDC	24VDC	48VDC	12VDC	24VDC	48VDC
	Voltage Range	10.5 ~ 15.0VDC	21.0 ~ 30.0VDC	42.0 ~ 60VDC	10.5 ~ 15.0VDC	21.0 ~ 30.0VDC	42.0 ~ 60VDC
	Efficiency (Typ.)	89%	92%	93%	91%	93%	94%
	Fuse	40Ax4	20Ax4	20Ax2	40Ax4	20Ax4	20Ax2
	Remote Control	CR6 / CR8 (optional)					
Protection	BAT. Low Alarm	11VDC	22VDC	44VDC	11VDC	22VDC	44VDC
	BAT. Low Shutdown	10.5VDC	21.0VDC	42.0VDC	10.5VDC	21.0VDC	42.0VDC
	Over Load	Shut down output voltage, restart to recover					
	Over Voltage	15.3VDC	30.6VDC	61.2VDC	15.3VDC	30.6VDC	61.2VDC
	Over Temperature	Shut down output voltage, recover automatically after temperature goes down					

MODEL	SK1000-112	SK1000-124	SK1000-148	SK1000-212	SK1000-224	SK1000-248
Protection	Output Short	Shut down output voltage, restart to recover				
	DC Input Reverse Polarity	By fuse				
Environment	Working Temp.	0°C ~ +40°C				
	Working Humidity	20 ~ 90% RH non-condensing				
	Storage Temp. & Humidity	-30°C ~ +70°C , 10 ~ 95% RH				
Safety & EMC	Safety Standards	Certified UL 458			Certified EN 60950-1	
	Isolation Resistance	I/P - O/P: 100M Ohms / 500VDC				
	EMI Conduction & Radiation	Certified FCC class A			Certified EN 55022; EN 61000-3-2, -3-3	
	EMS Immunity	---			Certified EN 55024; IEC 61000-4-2, 3, 4, 5, 6, 8, 11	
	e-MARK	---			Certified CISPR25; ISO7637-2	
Other	Dimension (WxHxD)	182x88.5x340 mm / 7.165x3.484x13.386 inch				
	Packing	4.8kg; 4pcs / 20.2kg / 2.45CUFT				
	Cooling	Load control fan				
	Application	Home and Office appliances, Portable Power Equipment, Vehicle, Yacht and Off-Grid Solar power systems ...etc.				

Mechanical Specification :





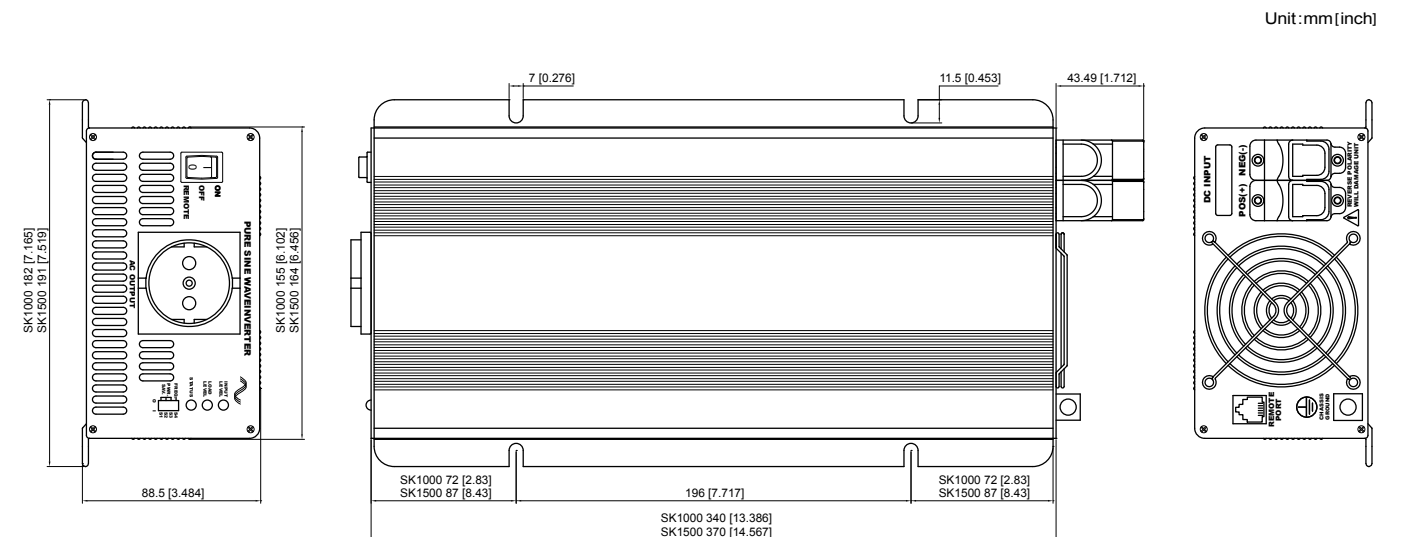
Features :

- DC input socket availability is suitable for different user scenarios
- True Sine Wave output (THD < 3%)
- Power ON / OFF remote control
- Input & output fully isolation
- Output frequency 50 / 60Hz selectable by DIP switch
- Power saving mode to save energy
- Input Protection: Reverse Polarity (Fuse) / Under Voltage / Over Voltage Protection
- Output Protection: Short Circuit / Overload / Over Temperature Protection
- UL / e-13 / CE / FCC approved

MODEL	SK1500-112	SK1500-124	SK1500-148	SK1500-212	SK1500-224	SK1500-248	
Output	AC Voltage	100 / 110 / 120VAC			220 / 230 / 240VAC		
	Rated Power	1500W					
	Surge Power	3000W					
	Waveform	True Sine Wave (THD < 3%)					
	Frequency	50 / 60Hz selectable by DIP switch					
	AC Regulation	± 5%			± 3%		
	Power Factor Allowed	COS θ -90° ~ COS θ +90°					
	Standard Receptacles	NEMA5-15R / GFCI			Schuko / UK / Australia / Universal		
	LED Indicator	Input voltage level, output load level and faulty status					
	Input	No Load Current Draw	1.45A	0.75A	0.40A	1.40A	0.70A
Stand-by Current Draw		0.28A	0.15A	0.09A	0.28A	0.15A	0.09A
DC Voltage		12VDC	24VDC	48VDC	12VDC	24VDC	48VDC
Voltage Range		10.5 ~ 15.0VDC	21.0 ~ 30.0VDC	42.0 ~ 60VDC	10.5 ~ 15.0VDC	21.0 ~ 30.0VDC	42.0 ~ 60VDC
Efficiency (Typ.)		88%	91%	92%	90%	93%	94%
Fuse		40Ax5	20Ax5	20Ax3	40Ax5	20Ax5	20Ax3
Remote Control		CR6 / CR8 (optional)					
Protection		BAT. Low Alarm	11VDC	22VDC	44VDC	11VDC	22VDC
	BAT. Low Shutdown	10.5VDC	21.0VDC	42.0VDC	10.5VDC	21.0VDC	42.0VDC
	Over Load	Shut down output voltage, restart to recover					
	Over Voltage	15.3VDC	30.6VDC	61.2VDC	15.3VDC	30.6VDC	61.2VDC
	Over Temperature	Shut down output voltage, recover automatically after temperature goes down					

MODEL	SK1500-112	SK1500-124	SK1500-148	SK1500-212	SK1500-224	SK1500-248
Protection	Output Short	Shut down output voltage, restart to recover				
	DC Input Reverse Polarity	By fuse				
Environment	Working Temp.	0°C ~ +40°C				
	Working Humidity	20 ~ 90% RH non-condensing				
	Storage Temp. & Humidity	-30°C ~ +70°C , 10 ~ 95% RH				
Safety & EMC	Safety Standards	Certified UL 458			Certified EN 60950-1	
	Isolation Resistance	I/P - O/P: 100M Ohms / 500VDC				
	EMI Conduction & Radiation	Certified FCC class A			Certified EN 55022; EN 61000-3-2, -3-3	
	EMS Immunity	---			Certified EN 55024; IEC 61000-4-2, 3, 4, 5, 6, 8, 11	
	e-MARK	---			Certified CISPR25; ISO7637-2	
Other	Dimension (WxHxD)	191x88.5x370 mm / 7.519x3.484x14.567 inch				
	Packing	5.3kg; 4pcs / 22.2kg / 2.7CUFT				
	Cooling	Load control fan				
	Application	Home and Office appliances, Portable Power Equipment, Vehicle, Yacht and Off-Grid Solar power systems ...etc.				

Mechanical Specification :





Features :

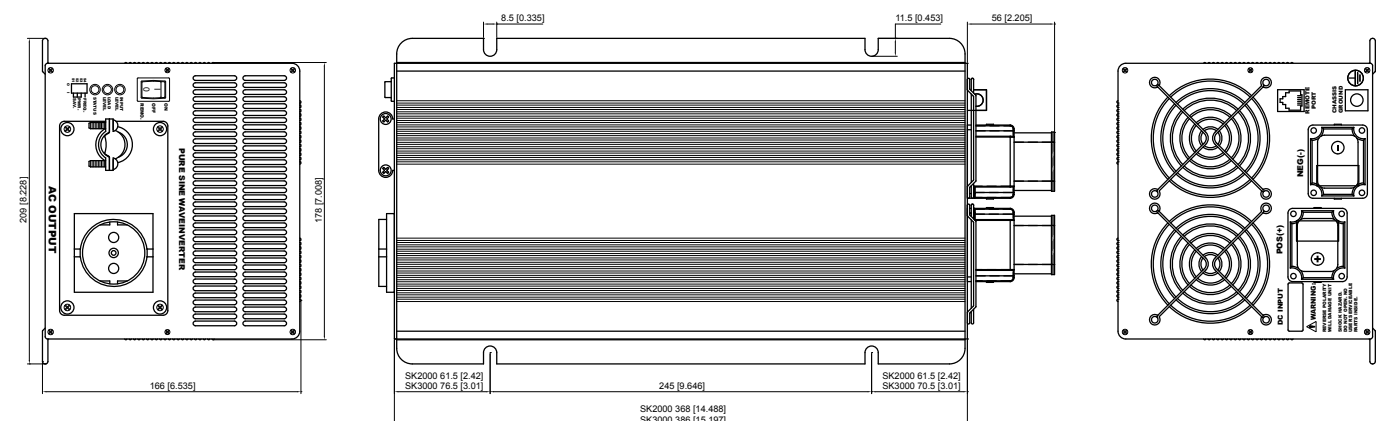
- True Sine Wave output (THD < 3%)
- Power ON / OFF remote control
- Input & output fully isolation
- Output frequency 50 / 60Hz selectable by DIP switch
- Power saving mode to save energy
- Input Protection: Reverse Polarity (Fuse) / Under Voltage / Over Voltage Protection
- Output Protection: Short Circuit / Overload / Over Temperature Protection
- Removable output connector panel for output wire connection
- e-13 / CE / FCC approved

MODEL	SK2000-112	SK2000-124	SK2000-148	SK2000-212	SK2000-224	SK2000-248	
Output	AC Voltage	100 / 110 / 120VAC			220 / 230 / 240VAC		
	Rated Power	2000W					
	Surge Power	4000W					
	Waveform	True Sine Wave (THD < 3%)					
	Frequency	50 / 60Hz selectable by DIP switch					
	AC Regulation	± 5%			± 3%		
	Power Factor Allowed	COS θ -90° ~ COS θ +90°					
	Standard Receptacles	NEMA5-15R / GFCII / hard wire			Schuko / UK / Australia / Universal / hard wire		
LED Indicator	Input voltage level, output load level and faulty status						
Input	No Load Current Draw	2.80A	1.50A	0.70A	2.64A	1.32A	0.65A
	Stand-by Current Draw	0.60A	0.30A	0.15A	0.60A	0.25A	0.15A
	DC Voltage	12VDC	24VDC	48VDC	12VDC	24VDC	48VDC
	Voltage Range	10.5 ~ 15.0VDC	21.0 ~ 30.0VDC	42.0 ~ 60VDC	10.5 ~ 15.0VDC	21.0 ~ 30.0VDC	42.0 ~ 60VDC
	Efficiency (Typ.)	89%	92%	93%	91%	94%	95%
	Fuse	40Ax8	20Ax4	20Ax4	40Ax8	20Ax4	20Ax4
	Remote Control	CR6 / CR8 (optional)					
Protection	BAT. Low Alarm	11VDC	22VDC	44VDC	11VDC	22VDC	44VDC
	BAT. Low Shutdown	10.5VDC	21.0VDC	42.0VDC	10.5VDC	21.0VDC	42.0VDC
	Over Load	Shut down output voltage, restart to recover					
	Over Voltage	15.3VDC	30.6VDC	61.2VDC	15.3VDC	30.6VDC	61.2VDC

MODEL	SK2000-112	SK2000-124	SK2000-148	SK2000-212	SK2000-224	SK2000-248
Protection	Over Temperature	Shut down output voltage, recover automatically after temperature goes down				
	Output Short	Shut down output voltage, restart to recover				
	DC Input Reverse Polarity	By fuse				
Environment	Working Temp.	0°C ~ +40°C				
	Working Humidity	20 ~ 90% RH non-condensing				
	Storage Temp. & Humidity	-30°C ~ +70°C , 10 ~ 95% RH				
Safety & EMC	Safety Standards	---			Certified EN 60950-1	
	Isolation Resistance	I/P - O/P: 100M Ohms / 500VDC				
	EMI Conduction & Radiation	Certified FCC class A			Certified EN 55022; EN 61000-3-2, -3-3	
	EMS Immunity	---			Certified EN 55024; IEC 61000-4-2, 3, 4, 5, 6, 8, 11	
	e-MARK	---			Certified CISPR25; ISO7637-2	
Other	Dimension (WxHxD)	209x166x368 mm / 8.228x6.535x14.488 inch				
	Packing	9.7kg; 2pcs / 20.4kg / 2.64CUFT				
	Cooling	Load control fan				
	Application	Home and Office appliances, Portable Power Equipment, Vehicle, Yacht and Off-Grid Solar power systems ...etc.				

Mechanical Specification :

Unit:mm [inch]





Features :

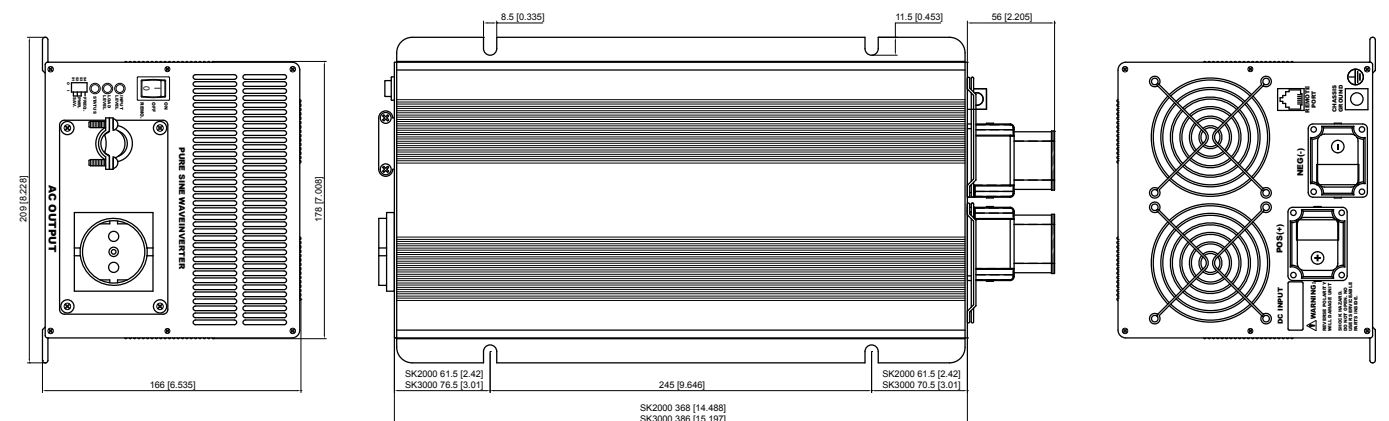
- True Sine Wave output (THD < 3%)
- Power ON / OFF remote control
- Input & output fully isolation
- Output frequency 50 / 60Hz selectable by DIP switch
- Power saving mode to save energy
- Input Protection: Reverse Polarity (Fuse) / Under Voltage / Over Voltage Protection
- Output Protection: Short Circuit / Overload / Over Temperature Protection
- Removable output connector panel for output wire connection
- e-13 / CE / FCC approved

MODEL	SK3000-112	SK3000-124	SK3000-148	SK3000-212	SK3000-224	SK3000-248	
Output	AC Voltage	100 / 110 / 120VAC			220 / 230 / 240VAC		
	Rated Power	3000W					
	Surge Power	6000W					
	Waveform	True Sine Wave (THD < 3%)					
	Frequency	50 / 60Hz selectable by DIP switch					
	AC Regulation	± 5%			± 3%		
	Power Factor Allowed	COS θ -90° ~ COS θ +90°					
	Standard Receptacles	NEMA5-15R / GFCII / hard wire			Schuko / UK / Australia / Universal / hard wire		
LED Indicator	Input voltage level, output load level and faulty status						
Input	No Load Current Draw	2.00A	1.60A	0.80A	2.80A	1.50A	0.70A
	Stand-by Current Draw	0.55A	0.35A	0.19A	0.55A	0.35A	0.19A
	DC Voltage	12VDC	24VDC	48VDC	12VDC	24VDC	48VDC
	Voltage Range	10.5 ~ 15.0VDC	21.0 ~ 30.0VDC	42.0 ~ 60VDC	10.5 ~ 15.0VDC	21.0 ~ 30.0VDC	42.0 ~ 60VDC
	Efficiency (Typ.)	88%	91%	92%	90%	93%	94%
	Fuse	40Ax10	20Ax10	20Ax6	40Ax10	20Ax10	20Ax6
	Remote Control	CR6 / CR8 (optional)					
Protection	BAT. Low Alarm	11VDC	22VDC	44VDC	11VDC	22VDC	44VDC
	BAT. Low Shutdown	10.5VDC	21.0VDC	42.0VDC	10.5VDC	21.0VDC	42.0VDC
	Over Load	Shut down output voltage, restart to recover					
	Over Voltage	15.3VDC	30.6VDC	61.2VDC	15.3VDC	30.6VDC	61.2VDC

MODEL	SK3000-112	SK3000-124	SK3000-148	SK3000-212	SK3000-224	SK3000-248
Protection	Over Temperature	Shut down output voltage, recover automatically after temperature goes down				
	Output Short	Shut down output voltage, restart to recover				
	DC Input Reverse Polarity	By fuse				
Environment	Working Temp.	0°C ~ +40°C				
	Working Humidity	20 ~ 90% RH non-condensing				
	Storage Temp. & Humidity	-30°C ~ +70°C , 10 ~ 95% RH				
Safety & EMC	Safety Standards	---			Certified EN 60950-1	
	Isolation Resistance	I/P - O/P: 100M Ohms / 500VDC				
	EMI Conduction & Radiation	Certified FCC class A			Certified EN 55022; EN 61000-3-2, -3-3	
	EMS Immunity	---			Certified EN 55024; IEC 61000-4-2, 3, 4, 5, 6, 8, 11	
	e-MARK	---			Certified CISPR25; ISO7637-2	
Other	Dimension (WxHxD)	209x166x386 mm / 8.228x6.535x15.197 inch				
	Packing	11kg; 2pcs / 23kg / 2.86CUFT				
	Cooling	Loading control cooling fan				
	Application	Home and Office appliances, Portable Power Equipment, Vehicle, Yacht and Off-Grid Solar power systems ...etc.				

Mechanical Specification :

Unit:mm (inch)





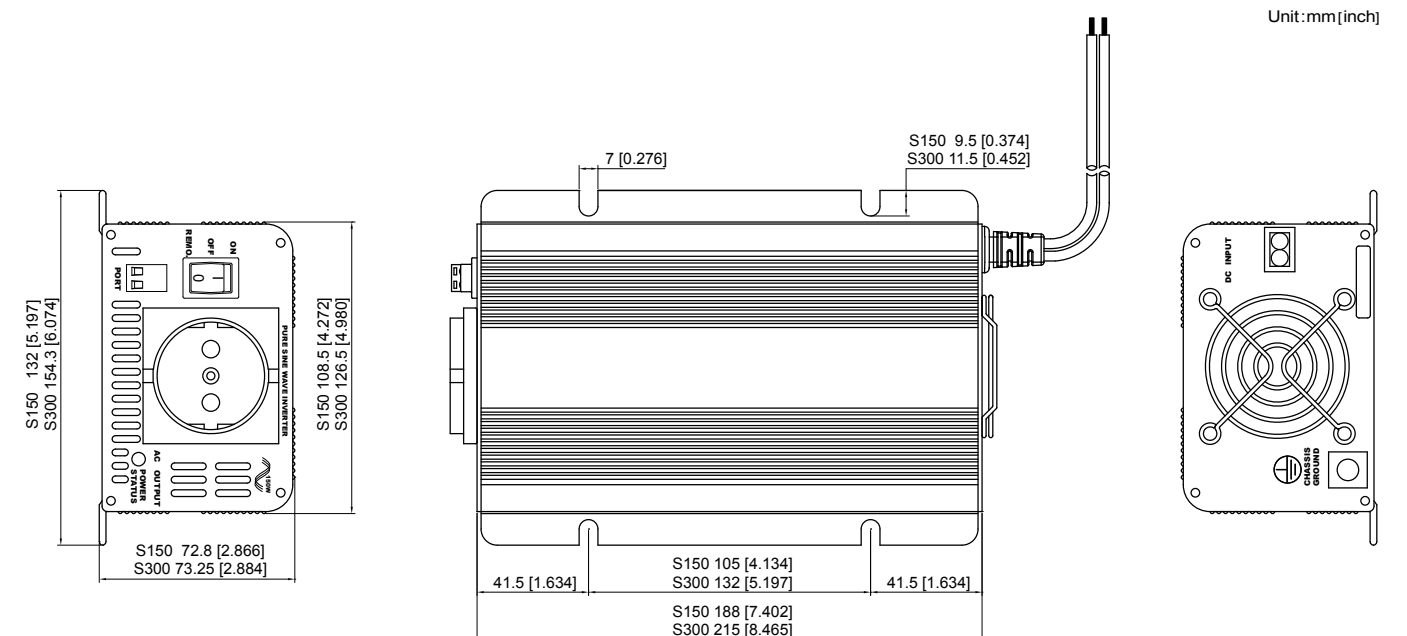
Features :

- Low frequency transformer design is capable of driving high reactive and capacitive loads
- DC input socket availability is suitable for different user scenarios
- Power ON / OFF remote control
- Input & output fully isolation
- Thermal control fan
- Input Protection: Reverse Polarity (Fuse) / Under Voltage / Over Voltage Protection
- Output Protection: Short Circuit / Overload / Over Temperature Protection
- UL / e-13 / CE / FCC approved

MODEL	S150-112	S150-124	S150-212	S150-224	
Output	AC Voltage	100 / 110 / 120VAC		220 / 230 / 240VAC	
	Rated Power	150W			
	Surge Power	200W			
	Waveform	True Sine Wave (THD < 6%)			
	Frequency	50 / 60Hz			
	AC Regulation	±5%		±3%	
	Power Factor Allowed	COS θ -90° ~ COS θ +90°			
	Standard Receptacles	NEMA5-15R / GFCI		Schuko / UK / Australia / Universal	
LED Indicator	Input voltage level, output load level and faulty status				
Input	No Load Current Draw	0.20A	0.16A	0.22A	0.16A
	DC Voltage	12VDC	24VDC	12VDC	24VDC
	Voltage Range	10.5 ~ 15.0VDC	21.0 ~ 30.0VDC	10.5 ~ 15.0VDC	21.0 ~ 30.0VDC
	Efficiency (Typ.)	87%	88%	87%	88%
	Fuse	25Ax1	15Ax1	25Ax1	15Ax1
	Remote Control	By external switch			
Protection	BAT. Low Shutdown	10VDC	20VDC	10VDC	20VDC
	Over Load	Shut down output voltage, restart to recover			
	Over Voltage	15 ~ 16VDC	30 ~ 32VDC	15 ~ 16VDC	30 ~ 32VDC
	Over Temperature	Shut down output voltage, recover automatically after temperature goes down			
	Output Short	Shut down output voltage, restart to recover			
	DC Input Reverse Polarity	By fuse			

MODEL	S150-112	S150-124	S150-212	S150-224
Environment	Working Temp.	0°C ~ +40°C		
	Working Humidity	20 ~ 90% RH non-condensing		
	Storage Temp. & Humidity	-30°C ~ +70°C , 10 ~ 95% RH		
Safety & EMC	Safety Standards	Certified UL 458 (only for "GFCI" receptacles)		Certified EN 60950-1
	Isolation Resistance	I/P - O/P: 100M Ohms / 500VDC		
	EMI Conduction & Radiation	Certified FCC class B		Certified EN 55022; EN 61000-3-2, -3-3, -6-3
	EMS Immunity	---		Certified EN 61204-3; EN 55024; EN 61000-6-1; ENV 50204; IEC 61000-4-2, 3, 4, 5, 6, 8, 11
	e-MARK	---		Certified CISPR25; ISO7637-2
Other	Dimension (WxHxD)	132x72.8x188 mm / 5.197x2.866x7.402 inch		
	Packing	2.8kg; 6pcs / 17.8kg / 1.45CUFT		
	Cooling	Thermal control Fan		
	Application	Home and Office appliances, Portable Power Equipment, Vehicle, Yacht and off-Grid Solar power systems ...etc.		

Mechanical Specification :





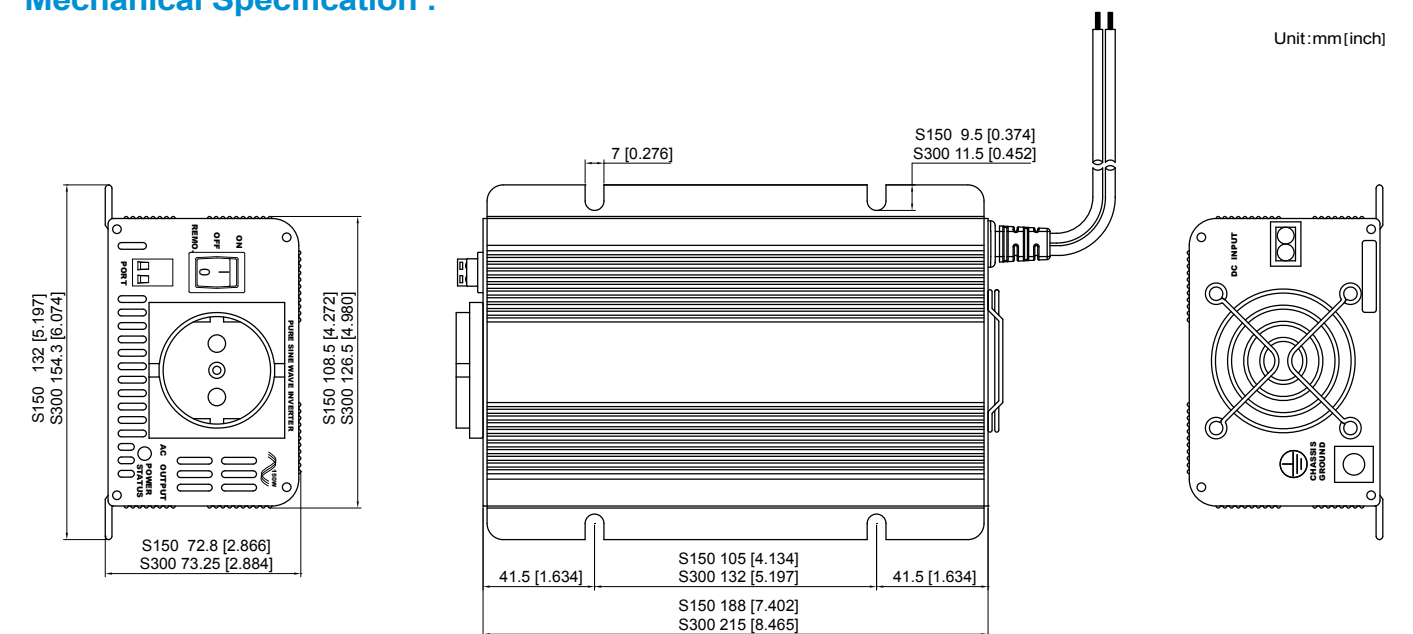
Features :

- Low frequency transformer design is capable of driving high reactive and capacitive loads
- Power ON / OFF remote control
- Input & output fully isolation
- Thermal control fan
- Input Protection: Reverse Polarity (Fuse) / Under Voltage / Over Voltage Protection
- Output Protection: Short Circuit / Overload / Over Temperature Protection
- UL / e-13 / CE / FCC approved

MODEL	S300-112	S300-124	S300-212	S300-224	
Output	AC Voltage	100 / 110 / 120VAC		220 / 230 / 240VAC	
	Rated Power	300W			
	Surge Power	400W			
	Waveform	True Sine Wave (THD < 6%)			
	Frequency	50 / 60Hz			
	AC Regulation	±5%		±3%	
	Power Factor Allowed	COS θ -90° ~ COS θ +90°			
	Standard Receptacles	NEMA5-15R / GFCI		Schuko / UK / Australia / Universal	
LED Indicator	Input voltage level, output load level and faulty status				
Input	No Load Current Draw	0.24A	0.28A	0.26A	0.28A
	DC Voltage	12VDC	24VDC	12VDC	24VDC
	Voltage Range	10.5 ~ 15.0VDC	21.0 ~ 30.0VDC	10.5 ~ 15.0VDC	21.0 ~ 30.0VDC
	Efficiency (Typ.)	89%	89%	89%	89%
	Fuse	40Ax1	25Ax1	40Ax1	25Ax1
	Remote Control	By external switch			
Protection	BAT. Low Shutdown	10VDC	20VDC	10VDC	20VDC
	Over Load	Shut down output voltage, restart to recover			
	Over Voltage	15 ~ 16VDC	30 ~ 32VDC	15 ~ 16VDC	30 ~ 32VDC
	Over Temperature	Shut down output voltage, recover automatically after temperature goes down			
	Output Short	Shut down output voltage, restart to recover			
	DC Input Reverse Polarity	By fuse			

MODEL	S300-112	S300-124	S300-212	S300-224
Environment	Working Temp.	0°C ~ +40°C		
	Working Humidity	20 ~ 90% RH non-condensing		
	Storage Temp. & Humidity	-30°C ~ +70°C , 10 ~ 95% RH		
Safety & EMC	Safety Standards	Certified UL 458 (only for "GFCI" receptacles)		Certified EN 60950-1
	Isolation Resistance	I/P - O/P: 100M Ohms / 500VDC		
	EMI Conduction & Radiation	Certified FCC class B		Certified EN 55022; EN 61000-3-2, -3-3, -6-3
	EMS Immunity	---		Certified EN 61204-3; EN 55024; EN 61000-6-1; ENV 50204; IEC 61000-4-2, 3, 4, 5, 6, 8, 11
	e-MARK	---		Certified CISPR25; ISO7637-2
Other	Dimension (WxHxD)	154.3x73.25x215 mm / 6.074x2.884x8.465 inch		
	Packing	4kg; 4pcs / 17kg / 1.12CUFT		
	Cooling	Thermal control Fan		
	Application	Home and Office appliances, Portable Power Equipment, Vehicle, Yacht and off - Grid Solar power systems ...etc.		

Mechanical Specification :

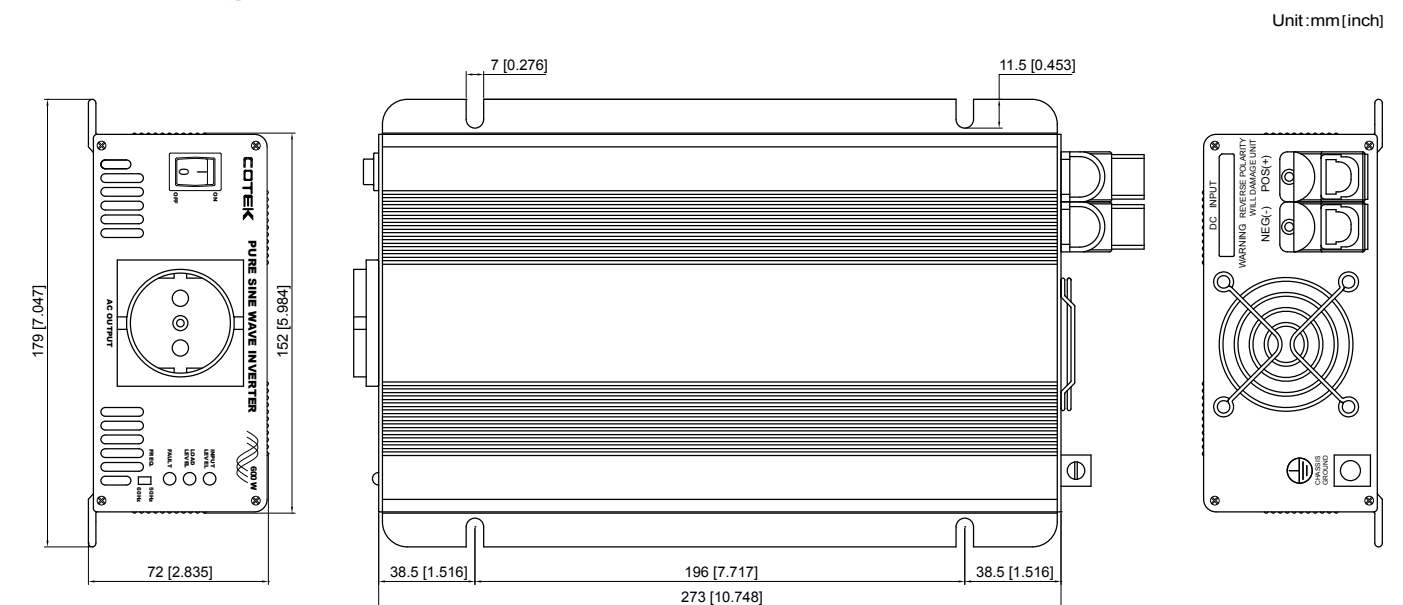


**Features :**

- True Sine Wave output (THD < 3%)
- Power ON / OFF remote control (only for S600R model)
- Input & output fully isolation
- Load control fan
- Input Protection: Reverse Polarity (Fuse) / Under Voltage / Over Voltage Protection
- Output Protection: Short Circuit / Overload / Over Temperature Protection
- UL / e-13 / CE / FCC approved

MODEL	S600-112	S600-124	S600-148	S600-212	S600-224	S600-248	
Output	AC Voltage	100 / 110 / 120VAC			220 / 230 / 240VAC		
	Rated Power	600W					
	Surge Power	800W					
	Waveform	True Sine Wave (THD < 3%)					
	Frequency	50 / 60 Hz					
	AC Regulation	±5%			±3%		
	Power Factor Allowed	COS θ -90° ~ COS θ +90°					
	Standard Receptacles	NEMA5-15R / GFCI			Schuko / UK / Australia / Universal		
LED Indicator	Input voltage level, output load level and faulty status						
Input	No Load Current Draw	0.87A	0.43A	0.23A	0.83A	0.43A	0.22A
	DC Voltage	12VDC	24VDC	48VDC	12VDC	24VDC	48VDC
	Voltage Range	10.5 ~ 15.0VDC	21.0 ~ 30.0VDC	42.0 ~ 60VDC	10.5 ~ 15.0VDC	21.0 ~ 30.0VDC	42.0 ~ 60VDC
	Efficiency (Typ.)	87%	90%	92%	90%	93%	94%
	Fuse	35Ax2	20Ax2	10Ax2	35Ax2	20Ax2	10Ax2
Protection	BAT. Low Alarm	11VDC	22VDC	44VDC	11VDC	22VDC	44VDC
	BAT. Low Shutdown	10.5VDC	21.0VDC	42.0VDC	10.5VDC	21.0VDC	42.0VDC
	Over Load	Shut down output voltage, restart to recover					
	Over Voltage	15.3VDC	30.6VDC	61.2VDC	15.3VDC	30.6VDC	61.2VDC
	Over Temperature	Shut down output voltage, recover automatically after temperature goes down					
	Output Short	Shut down output voltage, restart to recover					
DC Input Reverse Polarity	By fuse						

MODEL	S600-112	S600-124	S600-148	S600-212	S600-224	S600-248
Environment	Working Temp.	0°C ~ +40°C				
	Working Humidity	20 ~ 90% RH non-condensing				
	Storage Temp. & Humidity	-30°C ~ +70°C , 10 ~ 95% RH				
Safety & EMC	Safety Standards	Certified UL 458 (only for "GFCI" receptacles)			Certified EN 60950-1	
	Isolation Resistance	I/P - O/P: 100M Ohms / 500VDC				
	EMI Conduction & Radiation	Certified FCC class B			Certified EN 55022; EN 61000-3-2, -3-3	
	EMS Immunity	---			Certified EN 61204-3; EN 55024; EN 61000-6-1; ENV 50204; IEC 61000-4-2, 3, 4, 5, 6, 8, 11	
	e-MARK	---			Certified CISPR25; ISO7637-2	
Other	Dimension (WxHxD)	179x72x273 mm / 7.047x2.835x10.748 inch				
	Packing	3.4kg; 6pcs / 21.4kg / 2.46CUFT				
	Cooling	Load control fan				
	Application	Home and Office appliances, Portable Power Equipment, Vehicle, Yacht and Off-Grid Solar power systems ...etc.				

Mechanical Specification :



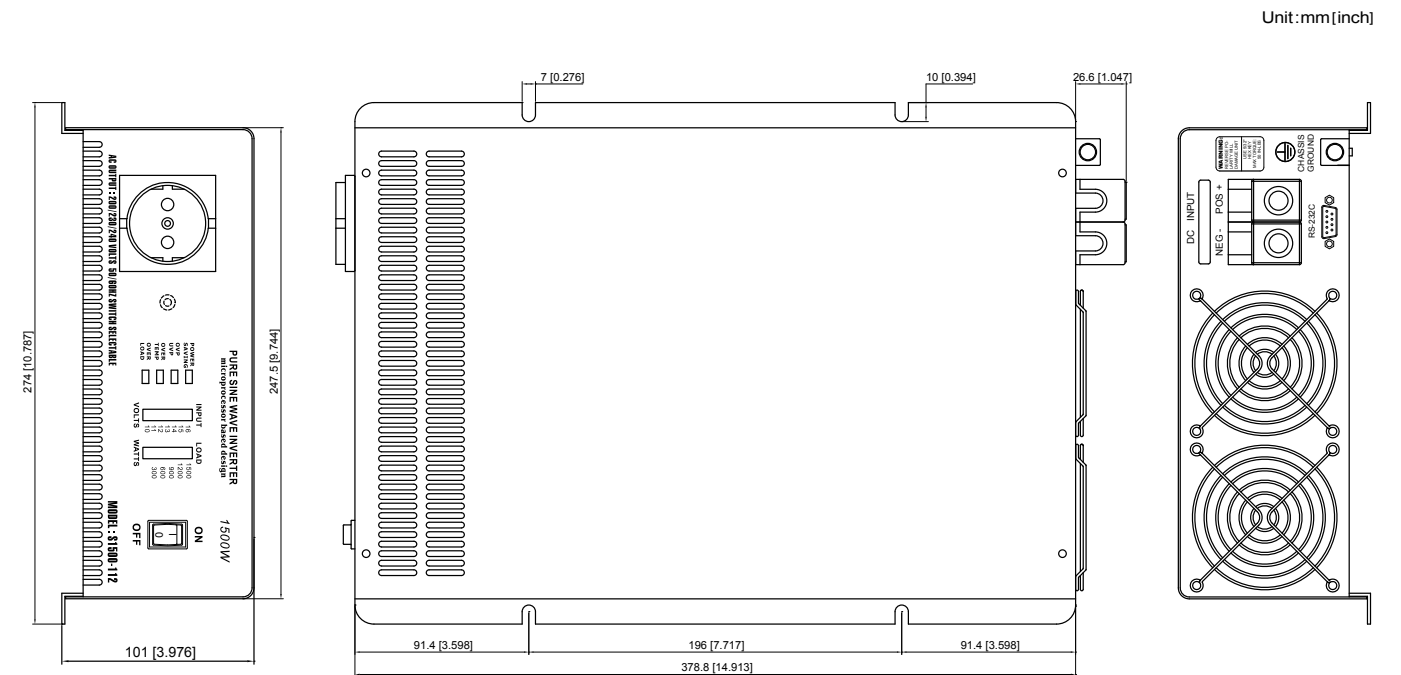
Features :

- True Sine Wave output (THD < 3%)
- RS-232 interface / Remote control port
- Input & output fully isolation
- Thermal control fan
- Output voltage & frequency selectable by DIP switch
- Input Protection: Reverse Polarity (Fuse) / Under Voltage / Over Voltage Protection
- Output Protection: Short Circuit / Overload / Over Temperature Protection
- Built in LED indicator for battery voltage & power status
- Power saving mode to save energy
- UL / e-13 / CE / FCC approved

MODEL	S1500-112	S1500-124	S1500-148	S1500-212	S1500-224	S1500-248	
Output	AC Voltage		100 / 110 / 120VAC selectable by DIP switch		220 / 230 / 240VAC selectable by DIP switch		
	Rated Power	1500W					
	Surge Power	2000W					
	Waveform	True Sine Wave (THD < 3%)					
	Frequency	50 / 60Hz					
	AC Regulation	±5%			±3%		
	Power Factor Allowed	COS θ -90° ~ COS θ +90°					
	Standard Receptacles	NEMA5-15R / GFCI			Schuko / UK / Australia / Universal		
LED Indicator	Input voltage level, output load level and faulty status						
Input	No Load Current Draw	0.87A	0.43A	0.23A	0.83A	0.43A	0.22A
	DC Voltage	12VDC	24VDC	48VDC	12VDC	24VDC	48VDC
	Voltage Range	10.0 ~ 16.0VDC	20.0 ~ 32.0VDC	40.0 ~ 62VDC	10.0 ~ 16.0VDC	20.0 ~ 32.0VDC	40.0 ~ 62VDC
	Efficiency (Typ.)	87%	90%	92%	90%	93%	94%
	Fuse	35Ax2	20Ax2	10Ax2	35Ax2	20Ax2	10Ax2
	Remote Control	CR5 optional					
Protection	BAT. Low Alarm	10.2VDC	20.4VDC	41.6VDC	10.2VDC	20.4VDC	41.6VDC
	BAT. Low Shutdown	9.5VDC	19.3VDC	38.6VDC	9.5VDC	19.3VDC	38.6VDC
	Over Load	Shut down output voltage, restart to recover					
	Over Voltage	17.1VDC	34.1VDC	63.0VDC	17.1VDC	34.1VDC	63.0VDC
	Over Temperature	Shut down output voltage, recover automatically after temperature goes down					
	Output Short	Shut down output voltage, restart to recover					
DC Input Reverse Polarity	By fuse						

MODEL	S1500-112	S1500-124	S1500-148	S1500-212	S1500-224	S1500-248
Environment	Working Temp.	0°C ~ +40°C				
	Working Humidity	20 ~ 90% RH non-condensing				
	Storage Temp. & Humidity	-30°C ~ +70°C , 10 ~ 95% RH				
Safety & EMC	Safety Standards	Certified UL 458 (only for "GFCI" receptacles)			Certified EN 60950-1	
	Isolation Resistance	I/P - O/P: 100M Ohms / 500VDC				
	EMI Conduction & Radiation	Certified FCC class B			Certified EN 55022; EN 61000-3-2, -3-3, -6-3	
	EMS Immunity	---			Certified EN 61204-3; EN 55024; EN 61000-6-1; ENV 50204; IEC 61000-4-2, 3, 4, 5, 6, 8, 11	
	e-MARK	---			Certified CISPR25; ISO7637-2	
Other	Dimension (WxHxD)	274x101x378.8 mm / 10.787x3.976x14.913 inch				
	Packing	8.2kg; 2pcs / 17.4kg / 2.55CUFT				
	Cooling	Load control fan				
	Application	Home and Office appliances, Portable Power Equipment, Vehicle, Yacht and Off-Grid Solar power systems ...etc.				

Mechanical Specification :





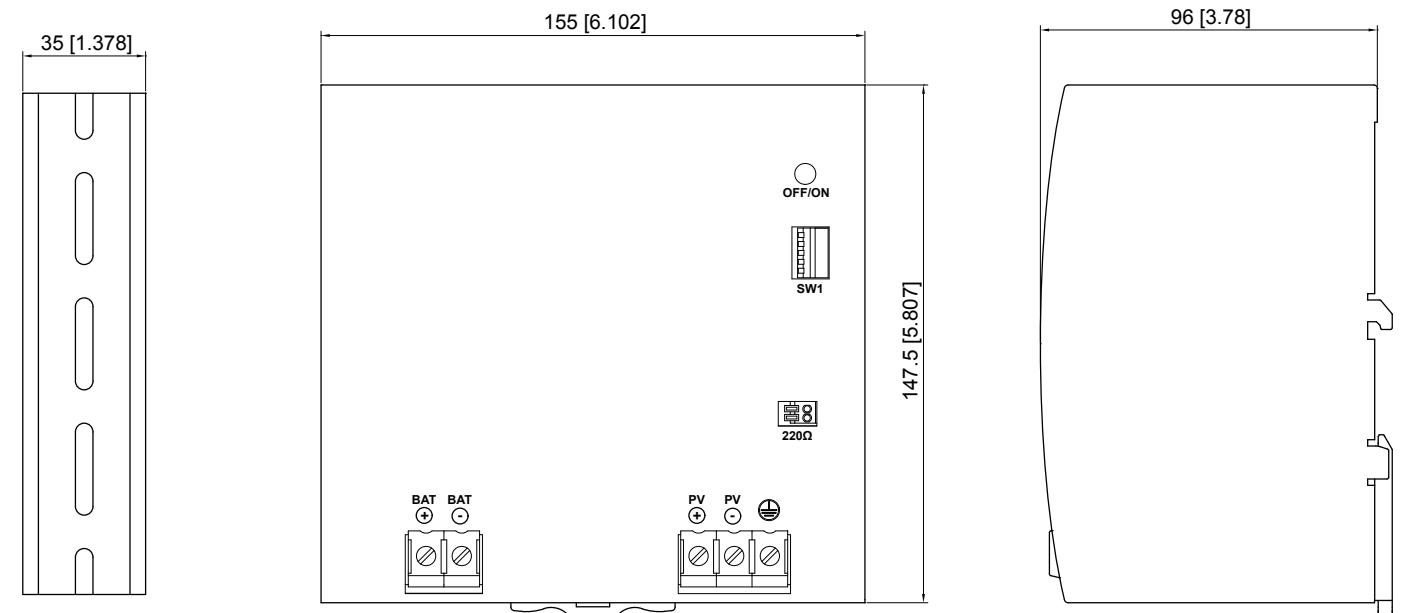
Features :

- MPPT function
- Battery temperature compensation
- Protection: Over Charge / Short Circuit / Over Current / Over Temperature Protection
- 3-step charging capability
- RS-232 / RS-485 interface

Mechanical Specification :

Unit:mm[inch]

MODEL	PC-1000	
Output	Battery Type	12 / 24 V, automatic recognition
	Max. Battery Charging Current	33A
	Battery Charging Mode	3-step charging capability
Input	Input Power	500W@12V, 1000W@24V
	Max.Input Current	25A
	Max. Solar Input Voltage Voc	95VDC
	Efficiency	Max.97%
Environment	Temperature	-20°C ~ 50°C
Function	MPPT	Yes
Safety & EMC	Safety Standards	Meet EN 62109-1
	EMC Standards	Meet EN 61000-6-1; EN 61000-6-3
Others	Dimension (WxHxD)	155.0x147.5x96.0 mm / 6.102x5.807x3.780 inch
	Weight	1.77 kg
	Cooling Type	Air convection
	Standby Power Consumption	< 5mW





Features :

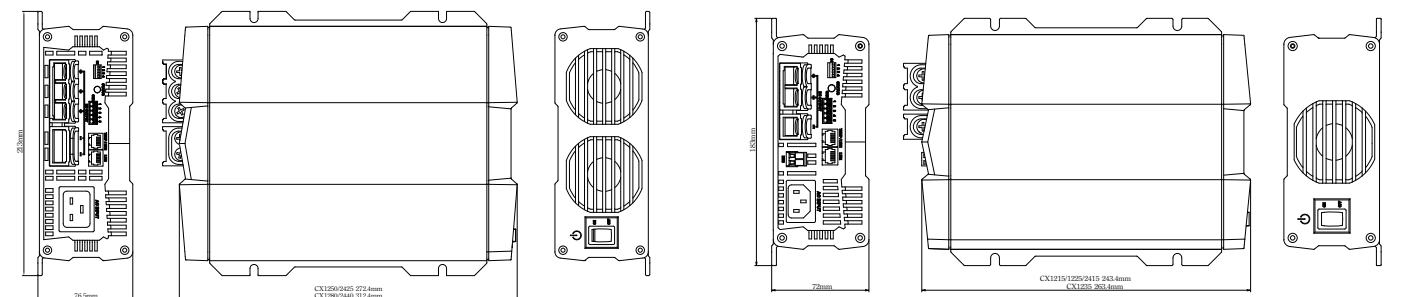
- Universal AC input with active PFC
- Adjustable charging voltage & time setting capability for each charging stage
- Compatible with lead acid, Li-ion, Gel and AGM batteries
- RS232 communication interface
- Voltage / temperature compensation
- 2 stage fan speed control
- Output power OK signal
- High efficiency and high reliability
- Built-in battery rescue function
- Built-in Engine Start Battery (ESB) output function
- Protection Short Circuit / Over Voltage / Over Temperature / Brown-out Protection
- Withstand 2G vibration test

MODEL		CX1215	CX1225	CX1235	CX1250	CX1280
Output	Battery Type	Lead Acid / Li-ion / Gel / AGM				
	Boost Charge Voltage	14.4V / 14.7V				
	Float Charge Voltage	13.80V				
	Main Rated Current	15A	25A	35A	50A	80A
	Current Range	0 ~ 15A	0 ~ 25A	0 ~ 35A	0 ~ 50A	0 ~ 80A
	Main Output	1	2	2	3	3
	ESB Output	1	1	1	—	—
	ESB Output Voltage / Current	13.8V / 2A	13.8V / 2A	13.8V / 2A	—	—
	Battery Charging Mode	3 - stage charging capability				
	Single Output Current Limit	15A	25A	35A	40A	40A
Input	Voltage Range	90 ~ 264VAC				
	Power Factor (Typ.)	PF > 0.92 at full load				
	Frequency Range	47 ~ 63Hz				
	Efficiency (Typ.) at 230VAC	87%				
	AC Current (Typ.)	2.5 A / 100VAC 1.07A / 240VAC	4.1 A / 100VAC 1.8A / 240VAC	6.2 A / 100VAC 2.8A / 240VAC	8.24 A / 100VAC 3.6A / 240VAC	13.3 A / 100VAC 5.4A / 240VAC
	Leakage Current	For earth < 1mA / 240VAC				
Protection	Short Circuit	Current is reduced to < 1A continued 30sec. , fan will operate 30 seconds then turn off				
	Over Voltage	17.5V ± 1% Protection type: Shut down output (recovery after resetting AC power on)				
	Over Temperature	100 ± 5°C detected by heat sink Protection type: Shut down output (Auto recovery after heat sink temperature goes down to 50°C)				
	Battery Over Temperature	52 ± 5°C (Optional device - COTEK temperature sensor)				
Function	Alarm Signal	NC. / NO. Relay contact output				
	Communication	RS232 communication protocol				
	Temperature Compensation	-10mV / 0.5°C provided by Optional device - COTEK temperature sensor				
	Charging Sleep Mode	Note.4 By remote control and DIP switch (low noise mode)				
	Remote Control	3 colour LED and botton for ON / OFF and sleep mode control.				

MODEL		CX1215	CX1225	CX1235	CX1250	CX1280
Environment	Working Temp.	-20°C ~ 50°C (refer to output load de-rating curve)				
	Working Humidity	20 ~ 90% RH non-condensing				
	Storage Temp., Humidity	-40°C ~ +85°C , 20 ~ 90% RH				
	Temp. Coefficient	±0.03% (0°C ~ 50°C)				
	Vibration	10 ~ 500Hz, 2G 10min. / 1cycle period for 60min. each along X, Y, Z axes				
Safety & EMC	Safety Standards	Certified EN 60335-1, EN 60335-2-29				
	Withstand Voltage	I/P-O/P: 4242VDC, I/P-FG: 1768VDC, O/P-FG: 700VDC				
	Isolation Resistance	I/P-O/P: 100M Ohms / 500VDC				
	EMI Conduction & Radiation	EN 55022				
	Harmonic Current	EN 61000-3-2; EN 61000-3-3				
	Note.2 EMS Immunity	EN 61000-4-2, 3, 4, 5, 6, 8, 11; ENV 50204				
Other	Dimension (WxHxD)	179x63x238mm	179x63x238mm	179x63x274mm	208.5x75283mm	208.5x75x303mm
	Packing	1.6kg	1.7kg	1.9kg	3.1kg	4.0kg
Note	1. All parameters not specially mentioned are measured at 230VAC input, rated load and 25 of ambient temperature. 2. The charger is considered a component which will be installed into a final equipment. The final equipment must be re-confirmed that it still meets EMC directives. 3. Before charging, make sure the battery charger and battery specifications are compatible. 4. When use sleep mode, please refer to charging current v.s. heat sink temperature de-rating curve.					

Mechanical Specification :

CX Series



Unit:mm[inch]



Features :

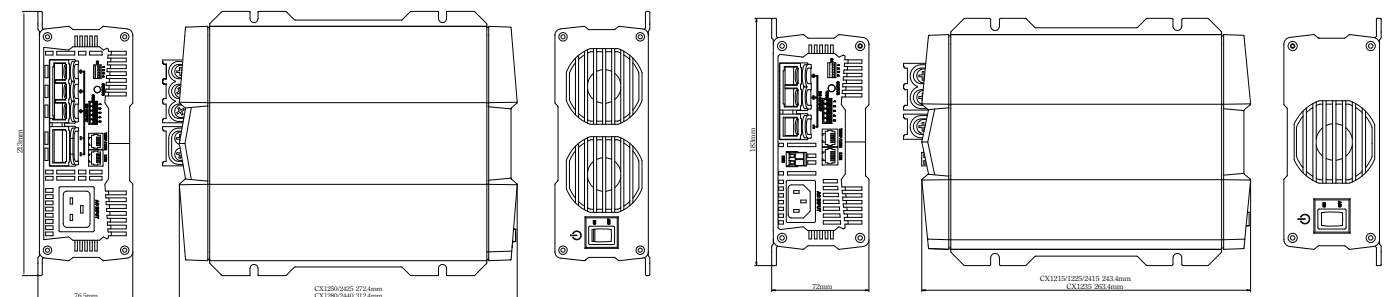
- Universal AC input with active PFC
- Adjustable charging voltage & time setting capability for each charging stage
- Compatible with lead acid, Li-ion, Gel and AGM batteries
- RS232 communication interface
- Voltage / temperature compensation
- 2 stage fan speed control
- Output power OK signal
- High efficiency and high reliability
- Built-in battery rescue function
- Built-in Engine Start Battery (ESB) output function
- Protection Short Circuit / Over Voltage / Over Temperature / Brown-out Protection
- Withstand 2G vibration test

MODEL		CX2415	CX2425	CX2440
Output	Battery Type	Lead Acid / Li-ion / Gel / AGM		
	Boost Charge Voltage	28.8V / 29.4V		
	Float Charge Voltage	27.6V		
	Main Rated Current	12.5A	25A	40A
	Current Range	0 ~ 12.5A	0 ~ 25A	0 ~ 40A
	Main Output	2	3	3
	Battery Charging Mode	3 - stage charging capability		
	Single Output Current Limit	12.5A	25A	40A
Input	Voltage Range	90 ~ 264VAC		
	Power Factor (Typ.)	PF > 0.92 at full load		
	Frequency Range	47 ~ 63Hz		
	Efficiency (Typ.) at 230VAC	90%	90%	90%
	AC Current (Typ.)	4.2A / 100VAC 1.7A / 240VAC	8.3A / 100VAC 3.6A / 240VAC	13.3A / 100VAC 5.4A / 240VAC
	Leakage Current	For earth < 1mA / 240VAC		
Protection	Short Circuit	Current is reduced to < 1A continued 30sec. , will operate 30 seconds then turn off		
	Over Voltage	35V ± 1% Protection type: Shut down output (recovery after resetting AC power on)		
	Over Temperature	100 ± 5°C detected by heat sink Protection type: Shut down output (Auto recovery after heat sink temperature goes down to 50 °C)		
	Battery Over Temperature	52 ± 5°C (Optional device - COTEK temperature sensor)		
Function	Alarm Signal	NC. / NO. Relay contact output		
	Communication	RS232 communication protocol		
	Temperature Compensation	-20mV / 0.5°C provided by Optional device - COTEK temperature sensor		
	Charging Sleep Mode	Note.4	By remote control and DIP switch (low noise mode)	
	Remote Control	3 colour LED and botton for ON / OFF and sleep mode control.		

MODEL		CX2415	CX2425	CX2440
Environment	Working Temp.	-20°C ~ 50°C (refer to output load de-rating curve)		
	Working Humidity	20 ~ 90% RH non-condensing		
	Storage Temp., Humidity	-40°C ~ +85°C , 20 ~ 90% RH		
	Temp. Coefficient	±0.03% (0°C ~ 50°C)		
	Vibration	10 ~ 500Hz, 2G 10min. / 1cycle period for 60min. each along X, Y, Z axes		
Safety & EMC	Safety Standards	Certified EN 60335-1, EN 60335-2-29		
	Withstand Voltage	I/P-O/P: 4242VDC, I/P-FG: 1768VDC, O/P-FG: 700VDC		
	Isolation Resistance	I/P-O/P: 100M Ohms / 500VDC		
	EMI Conduction & Radiation	EN 55022		
	Harmonic Current	EN 61000-3-2; EN 61000-3-3		
	Note.2 EMS Immunity	EN 61000-4-2, 3, 4, 5, 6, 8, 11; ENV 50204		
Other	Dimension (WxHxD)	179x63x238mm	208.5x75x283mm	208.5x75x303mm
	Packing	1.6kg	2.9kg	3.9kg
Note	1. All parameters not specially mentioned are measured at 230VAC input, rated load and 25 of ambient temperature. 2. The charger is considered a component which will be installed into a final equipment. The final equipment must be re-confirmed that it still meets EMC directives. 3. Before charging, make sure the battery charger and battery specifications are compatible. 4. When use sleep mode, please refer to charging current v.s. heat sink temperature de-rating curve.			

Mechanical Specification :

CX Series



Unit:mm[inch]



Features :

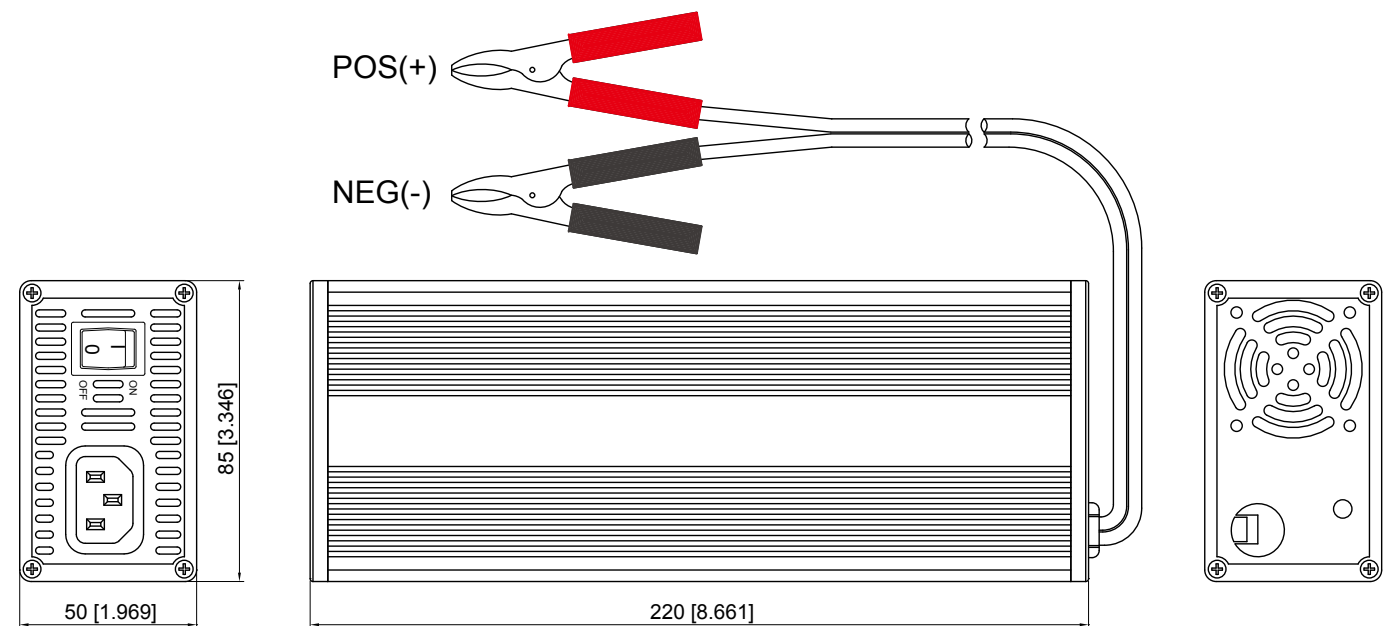
- Power consumption < 0.7W under no-load condition
- Universal AC input with active PFC
- 4-step IUoUoU charging capability
- Advanced 8 bit microprocessor controls circuit
- Intelligent output detective protection
- Protection: Reverse Polarity (electronic circuit) / Over Voltage / Over Load / Over Temperature / Short Circuit Protection
- Compact size, light weight

MODEL	CK-1215	CK-2408	
Output	DC Voltage Range	14.4V	28.8V
	Rated Current	15A	7.5A
	Current Range	0 ~ 15A	0 ~ 7.5A
	Rated Power (Max.)	216W	216W
	Battery Charging Mode	4 - stage charging capability (refer to battery charging curve)	
	LED Indicator	Charging status (Bulk, Absorption, Floating, Storage) ; Faulty status (OVP, UVP, OTP)	
Input	Voltage Range	100 ~ 264VAC	
	Frequency Range	47 ~ 63Hz	
	Power Factor (Typ.)	> 0.93 / 230VAC, > 0.98 / 115VAC at full load	
	Efficiency (Typ.) at 230Vac	83%	86%
	AC Current (Max.)	2.94 A / 100VAC, 1.52A / 240VAC	
	Inrush Current (Typ.)	Cold start 80A / 230VAC	
	Leakage Current	< 0.75mA / 240VAC	
Protection	Over Load	105% rated output current Protection type: Constant current limiting	
	Over Temperature	65 ± 5°C (N3) detected by heat sink Protection type: No output voltage, recover automatically after temperature goes down	
	Reverse Polarity Protection	Protected by electronic circuit.	
	OVP \ UVP	Latch off (recovery after resetting AC power ON)	
	Environment	Working Temp.	-20°C ~ +50°C
Working Humidity		20 ~ 90% RH non-condensing	
Storage Temp. & Humidity		-40°C ~ +85°C	
Temp. Coefficient		±0.03% (0°C ~ 50°C)	
Vibration		10 ~ 500Hz, 1G Sweep time 60 min. each along X, Y, Z axes	

MODEL	CK-1215	CK-2408	
Safety & EMC	Safety Standards	Certified EN 60335-2-29; EN 60335-1; EN 50366; ZEK 01.2-08 / 12.08	
	Withstand Voltage	I/P-O/P: 4242VDC, I/P-FG: 2121VDC, O/P-FG: 707VDC, 1 minute	
	Isolation Resistance	I/P-O/P, I/P-FG, O/P-FG: 100M Ohms / 500VDC	
	EMI Conduction & Radiation	Certified EN 55022	
	Harmonic Current	Certified EN 61000-3-2; EN 61000-3-3	
	Note.2 EMS Immunity	Certified EN 55024; EN 61000-4-2, 3, 4, 5, 6, 8, 11	
Others	MTBF	343.3K HRS Certified MIL-HDBK-217F	302.2K HRS Certified MIL-HDBK-217F
	Dimension (WxHxD)	85x50x220 mm / 3.346x1.969x8.661 inch	
	Packing	1.35kg; 12pcs / 17.2kg / 1.41CUFT	
Note	1. All parameters not specially mentioned are measured at 230VAC input, rated load and 25°C of ambient temperature. 2. The charger is considered a component which will be installed into a final equipment. The final equipment must be re-confirmed that it still meets EMC directives.		

Mechanical Specification :

Unit:mm[inch]





Features :

- Universal AC input with active PFC
- 3-step IUoU charging capability
- Advanced 8 bit microprocessor controls circuit
- Protection: Reverse Polarity (Fuse) / Short Circuit / Over Load Protection
- Compact size, light weight

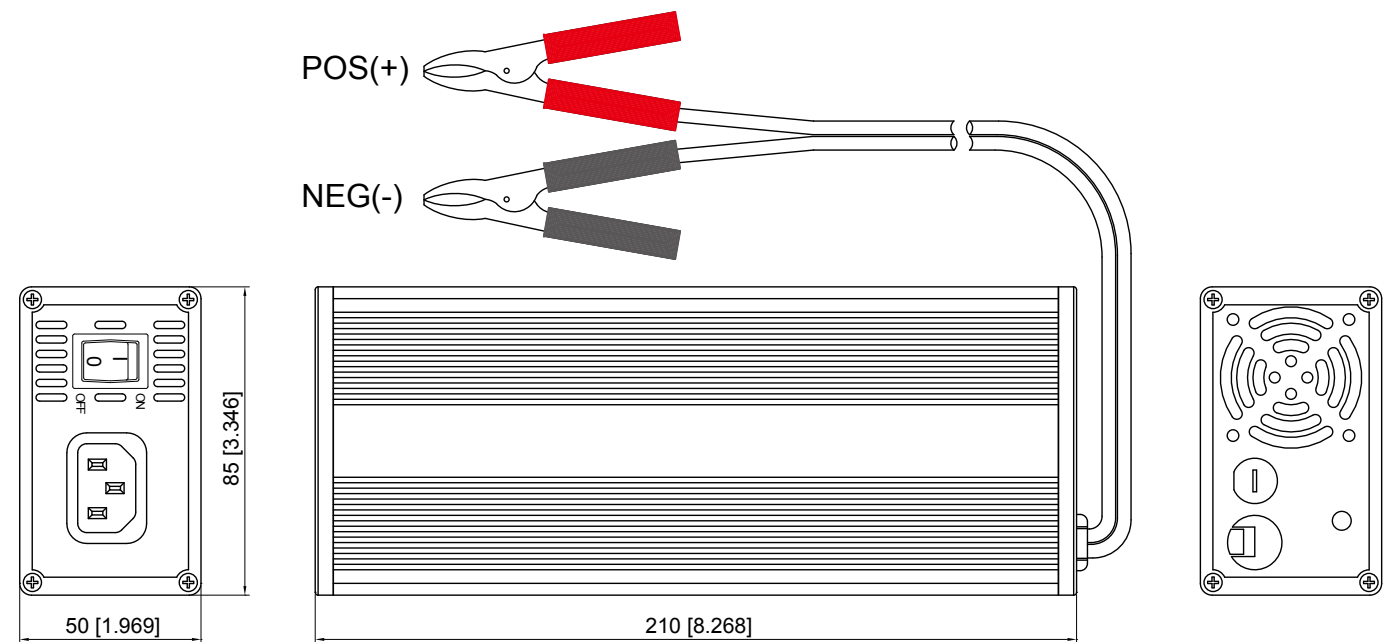
MODEL	BP-1210A	BP-1205A	BP-2405A	BP-2403A
Output	DC Voltage Range			
	14.4V	14.4V	28.8V	28.8V
	Rated Current			
	10A	5A	5A	2.5A
	Current Range			
	0 ~ 10A	0 ~ 5A	0 ~ 5A	0 ~ 2.5A
Rated Power (Max.)				
	144W	72W	144W	72W
Battery Charging Mode				
3 - stage charging capability (refer to battery charging curve)				
LED Indicator				
Charging status (Bulk, Absorption, Floating, Storage) ; Faulty status (OVP, UVP, OTP)				
Input	Voltage Range			
	90 ~ 264VAC			
	Frequency Range			
	47 ~ 63Hz			
	Efficiency (Typ.) at 230Vac			
		80%	78%	83%
AC Current (Max.)				
1.9 A / 90VAC, 0.95A / 180VAC				
Inrush Current (Typ.)				
Cold start 30A / 230VAC				
Leakage Current				
< 0.75mA / 240VAC				
Protection	Over Load			
	110% rated output power			
	Protection type: Constant current limiting, Hiccup mode, recovers automatically after faulty condition is removed			
Over Temperature				
85 ±5°C (TH1) detected by heat sink				
Protection type: No output voltage and recover automatically after temperature goes down				
Environment	Working Temp.			
	-20°C ~ +50°C (refer to output load de-rating curve)			
	Working Humidity			
	20 ~ 90% RH non-condensing			
	Storage Temp. & Humidity			
-40°C ~ +85°C				
Temp. Coefficient				
±0.03% (0°C ~ 50°C)				
Vibration				
10 ~ 500Hz, 1G Sweep time 60 min. each along X, Y, Z axes				
Safety & EMC	Safety Standards			
	Certified EN 60950-1			
	Withstand Voltage			
	I/P-O/P: 3KVAC, I/P-FG: 1.5KVAC, O/P-FG: 0.5KVAC, 1 minute			
	Isolation Resistance			
	I/P-O/P, I/P-FG, O/P-FG: 100M Ohms / 500VDC			
EMI Conduction & Radiation				
Certified EN 55022				
Harmonic Current				
Certified EN 61000-3-2; EN 61000-3-3				
EMS Immunity				
Certified IEC 61000-4-2, 3, 4, 5, 6, 8, 11; EN 55024				

Note.2

MODEL	BP-1210A	BP-1205A	BP-2405A	BP-2403A
Others	MTBF (Certified: MIL-HDBK-217F)			
	344.4K HRS	349.1K HRS	319.0K HRS	340.6K HRS
	Dimension (WxHxD)			
	85x50x210 mm / 3.346x1.969x8.268 inch			
	Weight			
	1.33kg			
Note	1. All parameters not specially mentioned are measured at 230VAC input, rated load and 25°C of ambient temperature. 2. The charger is considered a component which will be installed into a final equipment. The final equipment must be re-confirmed that it still meets EMC directives.			

Mechanical Specification :

Unit:mm[inch]



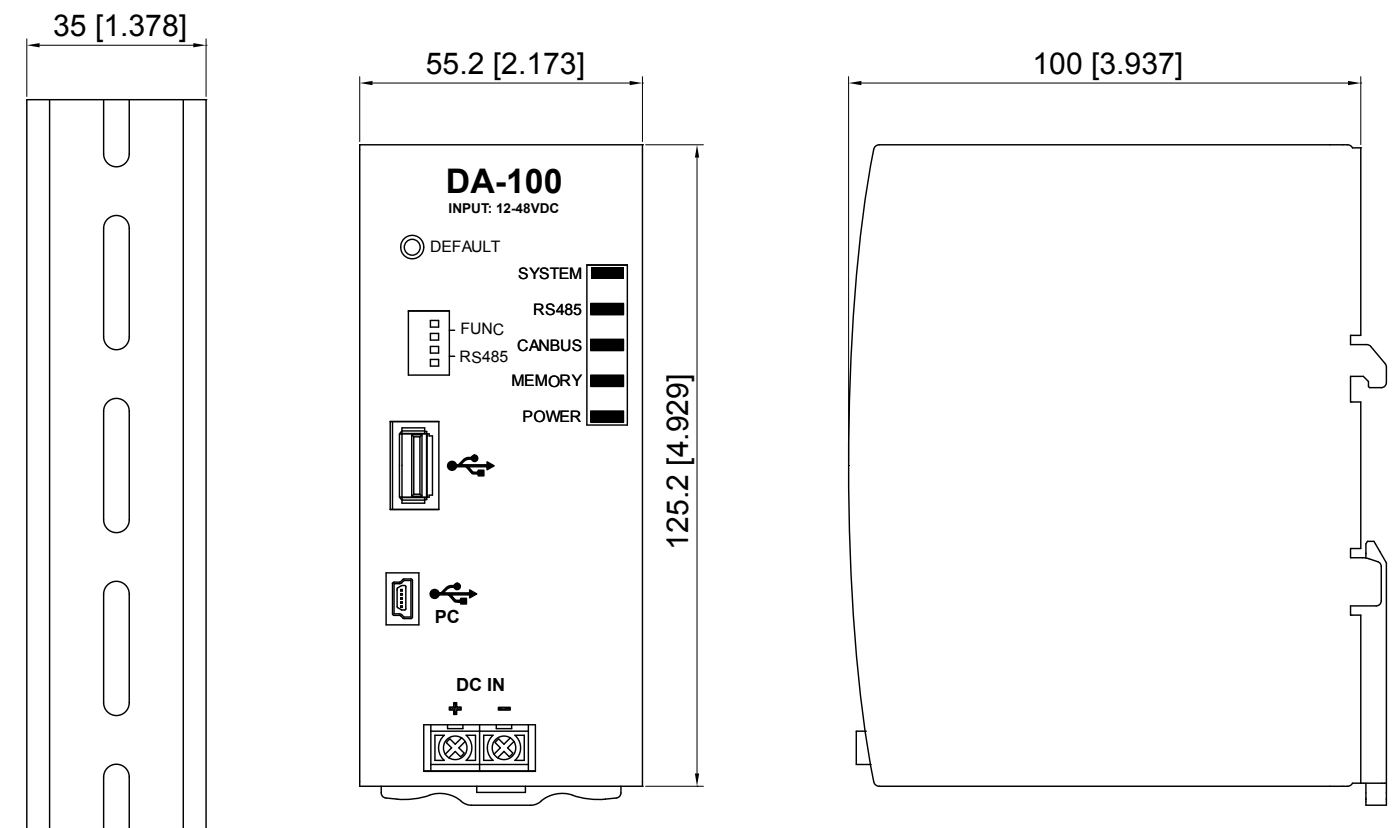


Features :

- Data storage and display via Ethernet
- Web based online remote data access
- Built-in 2GB flash memory for event log in CSV format
- Remote system configuration
- Multi-language support
- Compatible with all COTEK SD / SB / PC series
- Capability to backup the data via USB port

Mechanical Specification :

Unit:mm[inch]



MODEL		DA-100
Communication	Communication Port	RS-485, CAN BUS
	PC Communication	USB 2.0 full speed, 10/100M Ethernet
DC Input	Connector Type	DC Jack & terminal block
	Input Voltage	12 ~ 60VDC
Environment	Working Temp.	0°C ~ 50°C
Memory	Internal	2G flash memory
EMC	EMI Conduction & Radiation	Certified EN 55022; FCC Part 15 class B
	Harmonic Current	Certified EN 61000-3-2; EN 61000-3-3
	EMS Immunity	Certified EN 55024; IEC6 1000-4-2, 3, 4, 5, 6, 8, 11
Others	Dimension (WxHxD)	55.2x125.2x100.0 mm / 2.173x4.929x3.937 inch
	Weight	0.44kg
	Installation Site	Indoor
	Installation Option	DIN rail mount
	LED Indicator	Status signal (System, RS485, CANBUS, Memory)



CR-5



CR-6



CR-8

Features :

- This user friendly remote control is easy to understand and set - up
- ROF(Remore override function) / Ignition lockout function
- Remote control for COTEK SD, SE, SK & ST series ,

Model No.	Length	Dimension (WxHxD)	Application
CR-5	10' / 25' / 50'	57.0x73.5x26.5 mm / 2.244x2.894x1.034 inch	S1500 Series
CR-6	10' / 25' / 50'	130.0x120.0x25.6 mm / 5.118x4.724x1.008 inch	SK Series, ST Series (Except ST600) SD Series
CR-8	10' / 25' / 50'	57.0x73.5x26.5 mm / 2.244x2.894x1.034 inch	SK Series, ST Series, SD Series, SE350

COTEK is committed to providing proactive service, innovative technology and total quality assurance since we were established in 1986. COTEK is a technology-oriented company focusing on developing, designing and manufacturing products including:

AC/DC Switching Mode Power Supply – 5 Watts ~ 3,000 Watts, LED Power Supply – 40, 60, 90 Watts, DC/AC Pure Sine Wave inverters – 200 Watts ~ 3,000 Watts, Inverter Charger, and Battery Charger. Please contact with our Sales Representative to request for our new SMSP catalog, or visit our website: <http://www.cotek.com.tw/product/>

Medical Series

ME-1200 Enclosed Type

1200W



- Programmable output voltage / current (0 ~ 105%)
- Constant current limit
- Global Control via RS232
- Remote setting multiple PSU via RS232 & I²C
- Selectable Auxiliary output 5V / 0.5A or 8V / 0.3A
- Isolation class II / MOPP

ME series Modular Type

5~20W



- Green design / No load power consumption < 0.3W
- Withstand 2G vibration test
- Isolation class II / MOPP

MP series On-Board Type

5~60W



- Single & Dual output
- Withstand 2G vibration test
- Isolation class II (except 45 & 60 Watts) / MOPP

Industrial Series

AE / AEK Series Enclosed Type

800~3000W



- New AE/AEK Features**
- Programmable output voltage / current (0 ~ 105%)
 - Constant current limit
 - Global Control via RS232
 - Remote setting multiple PSU via RS232 & I²C
 - Selectable Auxiliary output 5V / 0.5A or 8V / 0.3A

Security Series

QE/QP Series Security Solution

75/100/155W



- Auto switch when power off (UPS function)
- Constant current limit
- Alarm signal for AC OK & Battery low
- Protection: SCP, OLP, OVP, Battery low and Battery Polarity
- Withstand 2G vibration test

Industrial DIN Series

DN Series DIN Rail Type

10~100W



- UL508 / UL1310 class II / LPS / EN60950 Certified
- DIN Rail TS35 / 7.5 or 15
- Brown-out protection

DV Series DIN Rail Type

150/240/480W



- UL508 / EN60950 Certified
- 150% peak load capability
- Selectable peak load mode
- DIN Rail TS-35 / 7.5 or 15

LED Power Supply

40/60/90W

- Universal input 100~240VAC
- Wide output DC range 60~130VDC
- High efficiency up to 92%
- PWM dimmer function (adjustable output current range: 30 ~ 10)

**ODM
WELCOME**