

Steca PR
PR 0303, PR 0505

The Steca PR 0303 and PR 0505 solar charge controllers are optimally suited for use in small solar home systems.

Lights, radios or small television sets, for instance, can be operated without issue. All loads can be switched off using the manual load switch on the controller. The extremely low own consumption makes the Steca PR especially suitable for professional applications in telecommunications and traffic management technology. Since this is a serial controller, it is extremely flexible in the type of power source that can be connected. The electronic fuse makes the controller completely maintenance-free and robust.

CLASSIC



Quality made in Germany

Product features

- Series controller
- Voltage regulation
- PWM control
- Multistage charging technology
- Current compensated load disconnection
- Automatic load reconnection
- Temperature compensation
- Negative earthing of one or positive earthing of several terminals possible

Electronic protection functions

- Overcharge protection
- Deep discharge protection
- Reverse polarity protection of module, load and battery
- Automatic electronic fuse
- Short circuit protection of load and module
- Overvoltage protection at module input
- Open circuit protection without battery
- Reverse current protection at night
- Overtemperature and overload protection
- Load disconnection on battery overvoltage

Displays

- Multi-coloured LED
- 3 multi-coloured LEDs show operating states
~ for operation, state of charge, fault messages

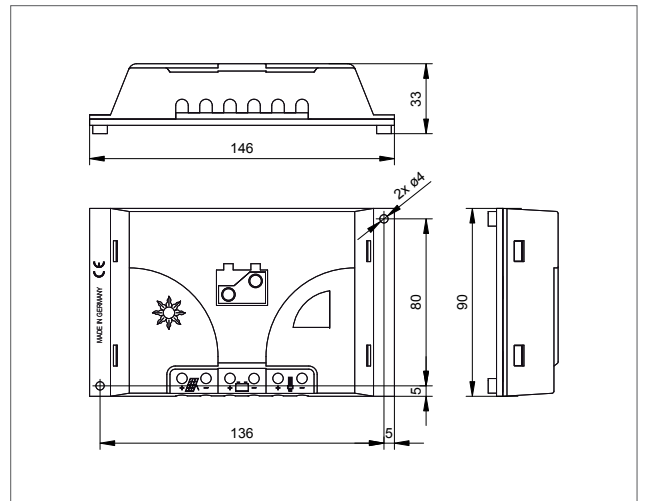
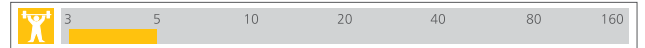
Operation

- Manual load switch

Certificates

- Compliant with European Standards (CE)
- RoHS compliant
- Made in Germany
- Developed in Germany
- Manufactured according to ISO 9001 and ISO 14001

3 A...5 A



	PR 0303	PR 0505
Characterisation of the operating performance		
System voltage	12 V	
Own consumption	3 mA	
DC input side		
Open circuit voltage solar module	< 47 V	
Module current	3 A	5 A
DC output side		
Load current*	3 A	5 A
Reconnection voltage (LVR)	12.5 V	
Deep discharge protection (LVD)	11 V ... 11.5 V	
Battery side		
End of charge voltage	13.7 V	
Boost charge voltage	14.4 V	
Set battery type	gel	
Operating conditions		
Ambient temperature	-25 °C ... +50 °C	
Fitting and construction		
Terminal (fine / single wire)	6 mm ² / 10 mm ² - AWG 10 / 8	
Degree of protection	IP 32	
Dimensions (X x Y x Z)	146 x 90 x 33 mm	
Weight	160 g	

Technical data at 25 °C / 77 °F

*Inverters must not be connected to the load output.